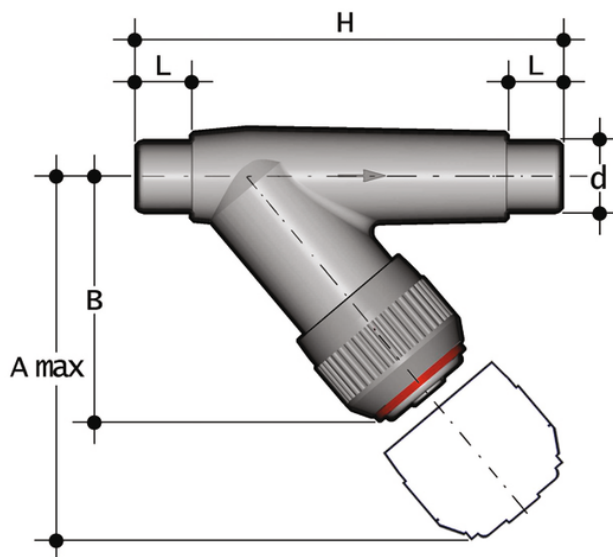


# RVDV-RVDT - Sediment strainer

RVDV PVC-U rigid - RVDT PVC-U transparent Sediment strainer with male ends for solvent welding



## EPDM

Objednáč číslo	Materiál	Kategorie	Série	d	DN	product.detail.attribute.PN RVDV	product.detail.attribute.PN RVDT	product.detail.attribute.A max	B	H	L	p
RVDV016E	PVC-U system	Armatury	RV DN 10÷100	16	10	16	10	125	72	114	14	A
RVDT050E	PVC-U system	Armatury	RV DN 10÷100	50	40	16	10	210	120	194	31	A
RVDT040E	PVC-U system	Armatury	RV DN 10÷100	40	32	16	10	190	111	174	26	A
RVDT032E	PVC-U system	Armatury	RV DN 10÷100	32	25	16	10	165	95	154	22	A
RVDT025E	PVC-U system	Armatury	RV DN 10÷100	25	20	16	10	145	84	144	19	A
RVDT020E	PVC-U system	Armatury	RV DN 10÷100	20	15	16	10	125	72	124	16	A
RVDT016E	PVC-U system	Armatury	RV DN 10÷100	16	10	16	10	125	72	114	14	A
RVDV063E	PVC-U system	Armatury	RV DN 10÷100	63	50	16	10	240	139	224	38	A
RVDV050E	PVC-U system	Armatury	RV DN 10÷100	50	40	16	10	210	120	194	31	A
RVDV040E	PVC-U system	Armatury	RV DN 10÷100	40	32	16	10	190	111	174	26	A

## RVDV-RVDT - Sediment strainer

Objednací číslo	Materiál	Kategorie	Série	d	DN	product.detail.attribute.PN RVDV	product.detail.attribute.PN RVDT	product.detail.attribute.A max	B	H	L	p
RVDV032E	PVC-U system	Armatury	RV DN 10÷100	32	25	16	10	165	95	154	22	A
RVDV025E	PVC-U system	Armatury	RV DN 10÷100	25	20	16	10	145	84	144	19	A
RVDV020E	PVC-U system	Armatury	RV DN 10÷100	20	15	16	10	125	72	124	16	A
RVDT063E	PVC-U system	Armatury	RV DN 10÷100	63	50	16	10	240	139	224	38	A

## RVDV-RVDT – Sediment strainer

- Connection system for solvent weld, threaded and flanged joints
- **Strainer** mounted on an easily removed **support** that facilitates the cleaning or replacement
- **Valve material compatibility** (PVC-U) with water conveyance, drinking water and other food substances according to **current regulations**
- Can be maintained with the valve body installed