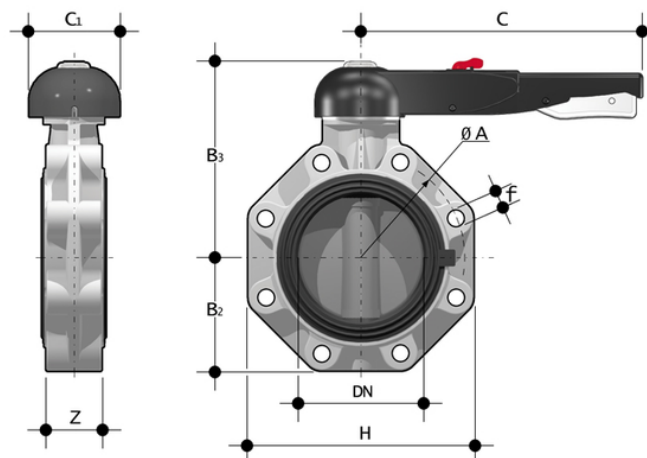


FKOV/LM LUG ANSI

Hand operated Butterfly valve, version Lug ANSI



EPDM

Objednací číslo	Materiál	Kategorie	Série	d	DN	PN	product.detail.attribute.øA	product.detail.attribute.B[5:2]	product.detail.attribute.B[5:3]
FKOALVLM212E	PVC-U system	Armatury	FK DN 40÷400	2" 1/2	65	10	139,7	119	80
FKOALVLM300E	PVC-U system	Armatury	FK DN 40÷400	3"	80	10	152,4	133	93
FKOALVLM400E	PVC-U system	Armatury	FK DN 40÷400	4"	100	10	190,5	147	107
FKOALVLM500E	PVC-U system	Armatury	FK DN 40÷400	5"	125	10	215,9	167	120
FKOALVLM600E	PVC-U system	Armatury	FK DN 40÷400	6"	150	10	241,3	180	134
FKOALVLM800E	PVC-U system	Armatury	FK DN 40÷400	8"	200	10	298,4	227	161

FKM

Objednací číslo	Materiál	Kategorie	Série	d	DN	PN	product.detail.attribute.øA	product.detail.attribute.B[5:2]	product.detail.attribute.B[5:3]
FKOALVLM212F	PVC-U system	Armatury	FK DN 40÷400	2" 1/2	65	10	139,7	119	80
FKOALVLM300F	PVC-U system	Armatury	FK DN 40÷400	3"	80	10	152,4	133	93

FKOV/LM LUG ANSI

Objednačí číslo	Materiál	Kategorie	Série	d	DN	PN	product.detail.attribute.øA	product.detail.attribute.B[5:2]	product.detail.attribute.B[5:3]
FKOALVLM400F	PVC-U system	Armatury	FK DN 40÷400	4"	100	10	190,5	147	107
FKOALVLM500F	PVC-U system	Armatury	FK DN 40÷400	5"	125	10	215,9	167	120
FKOALVLM600F	PVC-U system	Armatury	FK DN 40÷400	6"	150	10	241,3	180	134
FKOALVLM800F	PVC-U system	Armatury	FK DN 40÷400	8"	200	10	298,4	227	161

FKM

Objednačí číslo	Materiál	Kategorie	Série	d	DN	PN	product.detail.attribute.øA	product.detail.attribute.B[5:2]	product.detail.attribute.B[5:3]
FKOALVLM212F0SF	PVC-U system	Armatury	FK DN 40÷400	2" 1/2	65	10	139,7	119	80
FKOALVLM300F0SF	PVC-U system	Armatury	FK DN 40÷400	3"	80	10	152,4	133	93
FKOALVLM400F0SF	PVC-U system	Armatury	FK DN 40÷400	4"	100	10	190,5	147	107
FKOALVLM500F0SF	PVC-U system	Armatury	FK DN 40÷400	5"	125	10	215,9	167	120
FKOALVLM600F0SF	PVC-U system	Armatury	FK DN 40÷400	6"	150	10	241,3	180	134

FKOV/LM LUG ANSI

- **Ergonomic handle** in HIPVC equipped with **locking and unlocking device, release, quick operation and graduated adjustment** in 10 intermediate positions (DN 40÷200). The operating range, starting from the first few degrees of valve opening, also guarantees extremely low pressure drops.
- **Customisable Labelling System**: integrated module in the handle, made of a transparent protection plug and a customisable tag holder using the LSE set (available as an accessory). The **customisation** lets you **identify the valve on the system** according to specific needs.
- **STAINLESS steel square section stem** completely isolated from the fluid complying with standard ISO 5211: DN 40÷65: 11 mm DN 80÷100: 14 mm DN 125÷150: 17 mm DN 200: 22 mm DN 250÷400: 27 mm
- **Body** in polypropylene based **compound reinforced with fibreglass** (PP-GR) **resistant to UV rays** and characterised by **high mechanical strength**.
- **Drilling pattern using oval slots** that allow coupling to flanges according to numerous international standards. The special **self-centring inserts in ABS** supplied for DN 40÷200 guarantee the **correct axial alignment** of the valve during installation. For DN 250÷400 valves, the drilling pattern for the selfcentring system is of the traditional type according to DIN and ANSI standards.
- **Interchangeable liner** with the dual function of forming a hydraulic seal and isolating the body from the fluid.
- Interchangeable disk in PVC-U with through shaft, available in different thermoplastic materials: PP-H, PVC-C, ABS, PVDF Overall dimensions of the valve in accordance with standard ISO 5752 (DN 40÷200 Medium Series 25, DN 250÷ 300 Long Series 16) and DIN 3202 K2 and ISO 5752 (DN 65÷200 K2, DN 250÷300 K3) Can also be installed as an end line valve, bottom discharge valve or tank dump valve **Special Lug version** PN 10 fully drilled to DIN 2501 or ANSI B16.5 cl.150 with **molded-in AISI 316 STAINLESS steel threaded inserts** **Valve material compatibility** (PVC-U + EPDM) with water conveyance, drinking water and other food substances according to **current regulations** Possibility of installing a manual reducer or pneumatic and/or electric actuators by applying an ISO standard drilling PP-GR flanges. DN 40 ÷ 200 valve fitted with plate with rack in PP-GR. For actuated versions with flange drilled according to ISO 5211 F05, 07, F10. DN 250÷400 valve, fitted with one-piece top flange in high mechanical strength PP-GR with mounting flange for internal components drilled according to standard ISO 5211 F10 (excluding DN 350÷400), F12, F14. Possibility to have handle with integrated LSQT limit micro switch, even as a retrofit in existing installations