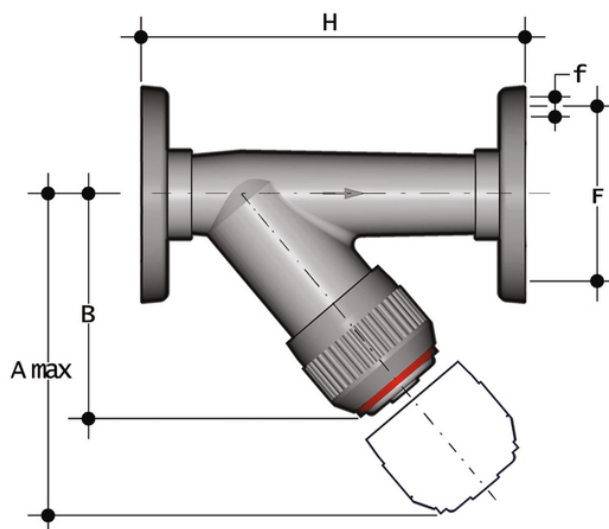


RVOV-RVOT D 20 ÷ 63 - Sediment strainer

RVOV PVC-U rigid - RVOT PVC-U transparent\$Sediment strainer with fixed flanges, drilled PN10/16



EPDM

Objednací číslo	Materiál	Kategorie	Série	d	DN	product.detail.attribute.PN RVOV	product.detail.attribute.PN RVOT	product.detail.attribute.A max	B	product.d
RVOV020E	PVC-U system	Armatury	RV DN 10÷100	20	15	16	10	125	72	65
RVOT050E	PVC-U system	Armatury	RV DN 10÷100	50	40	16	10	210	120	110
RVOT040E	PVC-U system	Armatury	RV DN 10÷100	40	32	16	10	190	111	100
RVOT032E	PVC-U system	Armatury	RV DN 10÷100	32	25	16	10	165	95	85
RVOT025E	PVC-U system	Armatury	RV DN 10÷100	25	20	16	10	145	84	75
RVOT020E	PVC-U system	Armatury	RV DN 10÷100	20	15	16	10	125	72	65
RVOV063E	PVC-U system	Armatury	RV DN 10÷100	63	50	16	10	240	139	125
RVOV050E	PVC-U system	Armatury	RV DN 10÷100	50	40	16	10	210	120	110
RVOV040E	PVC-U system	Armatury	RV DN 10÷100	40	32	16	10	190	111	100
RVOV032E	PVC-U system	Armatury	RV DN 10÷100	32	25	16	10	165	95	85

RVOV-RVOT D 20 ÷ 63 - Sediment strainer

Objednací číslo	Materiál	Kategorie	Série	d	DN	product.detail.attribute.PN RVOV	product.detail.attribute.PN RVOT	product.detail.attribute.A max	B	product.d
RVOV025E	PVC-U system	Armatury	RV DN 10÷100	25	20	16	10	145	84	75
RVOT063E	PVC-U system	Armatury	RV DN 10÷100	63	50	16	10	240	139	125



RVOV-RVOT D 20 ÷ 63 - Sediment strainer

- Connection system for solvent weld, threaded and flanged joints
- **Strainer** mounted on an easily removed **support** that facilitates the cleaning or replacement
- **Valve material compatibility** (PVC-U) with water conveyance, drinking water and other food substances according to **current regulations**
- Can be maintained with the valve body installed