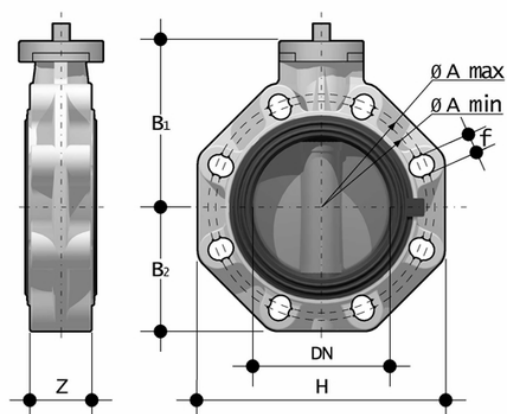


FKOV/FM

Butterfly valve with bare shaft



EPDM

Objednací číslo	Materiál	Kategorie	Série	d	DN	PN	product.detail.attribute.A min	product.detail.attribute.A max	product.detail.attribute.ø
FKOVFM050E	PVC-U system	Armatury	FK DN 40÷400	50 - 1"1/2	40	16	99	109	-
FKOAVFM814E	PVC-U system	Armatury	FK DN 40÷400	14"	350	7	-	-	476
FKOAVFM812E	PVC-U system	Armatury	FK DN 40÷400	12"	300	8	-	-	432
FKOAVFM810E	PVC-U system	Armatury	FK DN 40÷400	10"	250	10	-	-	362
FKOVFM400E	PVC-U system	Armatury	FK DN 40÷400	400	400	6	-	-	515
FKOVFM355E	PVC-U system	Armatury	FK DN 40÷400	355	350	7	-	-	460
FKOVFM315E	PVC-U system	Armatury	FK DN 40÷400	315	300	8	-	-	400
FKOVFM280E	PVC-U system	Armatury	FK DN 40÷400	280	250	10	-	-	350
FKOVFM225E	PVC-U system	Armatury	FK DN 40÷400	225 - 8"	200	10	280	298	-
FKOVFM160E	PVC-U system	Armatury	FK DN 40÷400	160 - 6"	150	10	230	242	-

FKOV/FM

Objednací číslo	Materiál	Kategorie	Série	d	DN	PN	product.detail.attribute.A min	product.detail.attribute.A max	product.detail.attribute.ø
FKOVFM140E	PVC-U system	Armatury	FK DN 40÷400	140 - 5"	125	10	204	215	-
FKOVFM110E	PVC-U system	Armatury	FK DN 40÷400	110 - 4"	100	10	165	190	-
FKOVFM090E	PVC-U system	Armatury	FK DN 40÷400	90 - 3"	80	10	145	160	-
FKOVFM075E	PVC-U system	Armatury	FK DN 40÷400	75 - 2 1/2"	65	10	128	144	-
FKOVFM063E	PVC-U system	Armatury	FK DN 40÷400	63 - 2"	50	16	115	125,5	-
FKOAVFM816E	PVC-U system	Armatury	FK DN 40÷400	16"	400	6	-	-	540

FKM

Objednací číslo	Materiál	Kategorie	Série	d	DN	PN	product.detail.attribute.A min	product.detail.attribute.A max	product.detail.attribute.ø
FKOVFM050F	PVC-U system	Armatury	FK DN 40÷400	50 - 1 1/2"	40	16	99	109	-
FKOAVFM814F	PVC-U system	Armatury	FK DN 40÷400	14"	350	7	-	-	476
FKOAVFM812F	PVC-U system	Armatury	FK DN 40÷400	12"	300	8	-	-	432
FKOAVFM810F	PVC-U system	Armatury	FK DN 40÷400	10"	250	10	-	-	362
FKOVFM400F	PVC-U system	Armatury	FK DN 40÷400	400	400	6	-	-	515
FKOVFM355F	PVC-U system	Armatury	FK DN 40÷400	355	350	7	-	-	460
FKOVFM315F	PVC-U system	Armatury	FK DN 40÷400	315	300	8	-	-	400
FKOVFM280F	PVC-U system	Armatury	FK DN 40÷400	280	250	10	-	-	350
FKOVFM225F	PVC-U system	Armatury	FK DN 40÷400	225 - 8"	200	10	280	298	-
FKOVFM160F	PVC-U system	Armatury	FK DN 40÷400	160 - 6"	150	10	230	242	-
FKOVFM140F	PVC-U system	Armatury	FK DN 40÷400	140 - 5"	125	10	204	215	-
FKOVFM110F	PVC-U system	Armatury	FK DN 40÷400	110 - 4"	100	10	165	190	-
FKOVFM090F	PVC-U system	Armatury	FK DN 40÷400	90 - 3"	80	10	145	160	-

FKOV/FM

Objednací číslo	Materiál	Kategorie	Série	d	DN	PN	product.detail.attribute.A min	product.detail.attribute.A max	product.detail.attribute.ø
FKOVFM075F	PVC-U system	Armatury	FK DN 40÷400	75 - 2"1/2	65	10	128	144	-
FKOVFM063F	PVC-U system	Armatury	FK DN 40÷400	63 - 2"	50	16	115	125,5	-
FKOAVFM816F	PVC-U system	Armatury	FK DN 40÷400	16"	400	6	-	-	540

FKM

Objednací číslo	Materiál	Kategorie	Série	d	DN	PN	product.detail.attribute.A min	product.detail.attribute.A max	product.detail.attribute.ø
FKOVFM050F0SF	PVC-U system	Armatury	FK DN 40÷400	50 - 1"1/2	40	16	99	109	-
FKOVFM063F0SF	PVC-U system	Armatury	FK DN 40÷400	63 - 2"	50	16	115	125,5	-
FKOVFM075F0SF	PVC-U system	Armatury	FK DN 40÷400	75 - 2"1/2	65	10	128	144	-
FKOVFM090F0SF	PVC-U system	Armatury	FK DN 40÷400	90 - 3"	80	10	145	160	-
FKOVFM110F0SF	PVC-U system	Armatury	FK DN 40÷400	110 - 4"	100	10	165	190	-
FKOVFM140F0SF	PVC-U system	Armatury	FK DN 40÷400	140 - 5"	125	10	204	215	-
FKOVFM160F0SF	PVC-U system	Armatury	FK DN 40÷400	160 - 6"	150	10	230	242	-

FKOV/FM

- **Ergonomic handle** in HIPVC equipped with **locking and unlocking device, release, quick operation and graduated adjustment** in 10 intermediate positions (DN 40÷200). The operating range, starting from the first few degrees of valve opening, also guarantees extremely low pressure drops.
- **Customisable Labelling System**: integrated module in the handle, made of a transparent protection plug and a customisable tag holder using the LSE set (available as an accessory). The **customisation** lets you **identify the valve on the system** according to specific needs.
- **STAINLESS steel square section stem** completely isolated from the fluid complying with standard ISO 5211: DN 40÷65: 11 mm DN 80÷100: 14 mm DN 125÷150: 17 mm DN 200: 22 mm DN 250÷400: 27 mm
- **Body** in polypropylene based **compound reinforced with fibreglass** (PP-GR) **resistant to UV rays** and characterised by **high mechanical strength**.
- **Drilling pattern using oval slots** that allow coupling to flanges according to numerous international standards. The special **self-centring inserts in ABS** supplied for DN 40÷200 guarantee the **correct axial alignment** of the valve during installation. For DN 250÷400 valves, the drilling pattern for the selfcentring system is of the traditional type according to DIN and ANSI standards.
- **Interchangeable liner** with the dual function of forming a hydraulic seal and isolating the body from the fluid.
- Interchangeable disk in PVC-U with through shaft, available in different thermoplastic materials: PP-H, PVC-C, ABS, PVDF Overall dimensions of the valve in accordance with standard ISO 5752 (DN 40÷200 Medium Series 25, DN 250÷ 300 Long Series 16) and DIN 3202 K2 and ISO 5752 (DN 65÷200 K2, DN 250÷300 K3) Can also be installed as an end line valve, bottom discharge valve or tank dump valve **Special Lug version** PN 10 fully drilled to DIN 2501 or ANSI B16.5 cl.150 with **molded-in AISI 316 STAINLESS steel threaded inserts**
Valve material compatibility (PVC-U + EPDM) with water conveyance, drinking water and other food substances according to **current regulations** Possibility of installing a manual reducer or pneumatic and/or electric actuators by applying an ISO standard drilling PP-GR flanges. DN 40 ÷ 200 valve fitted with plate with rack in PP-GR. For actuated versions with flange drilled according to ISO 5211 F05, 07, F10. DN 250÷400 valve, fitted with one-piece top flange in high mechanical strength PP-GR with mounting flange for internal components drilled according to standard ISO 5211 F10 (excluding DN 350÷400), F12, F14. Possibility to have handle with integrated LSQT limit micro switch, even as a retrofit in existing installations