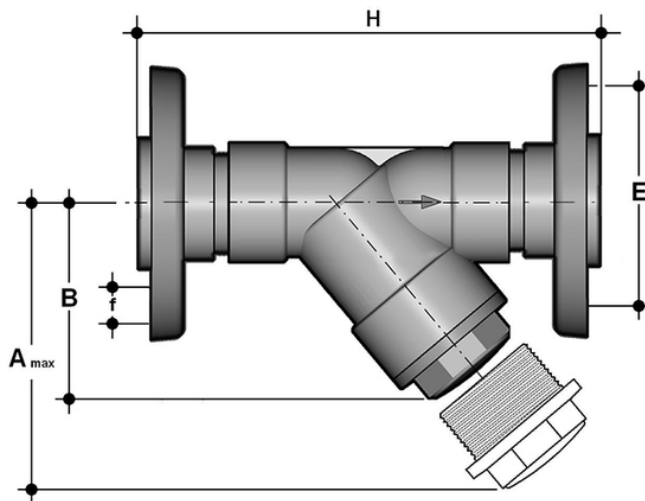


RVOV-RVOT D 75 ÷ 110 - Sediment strainer

RVOV PVC-U rigid - RVOT PVC-U transparent\$Sediment strainer with PVC-U backing ring, drilled PN10/16



EPDM

Objednací číslo	Materiál	Kategorie	Série	d	DN	product.detail.attribute.PN RVOV	product.detail.attribute.PN RVOT	product.detail.attribute.A max	B	product.d
RVOV075E	PVC-U system	Armatury	RV DN 10÷100	75	65	10	6	300	179	145
RVOV090E	PVC-U system	Armatury	RV DN 10÷100	90	80	6	4	325	192	160
RVOV110E	PVC-U system	Armatury	RV DN 10÷100	110	100	6	4	385	231	180
RVOT075E	PVC-U system	Armatury	RV DN 10÷100	75	65	10	6	300	179	145
RVOT090E	PVC-U system	Armatury	RV DN 10÷100	90	80	6	4	325	192	160
RVOT110E	PVC-U system	Armatury	RV DN 10÷100	110	100	6	4	385	231	180



RVOV-RVOT D 75 ÷ 110 - Sediment strainer

- Connection system for solvent weld, threaded and flanged joints
- **Strainer** mounted on an easily removed **support** that facilitates the cleaning or replacement
- **Valve material compatibility** (PVC-U) with water conveyance, drinking water and other food substances according to **current regulations**
- Can be maintained with the valve body installed