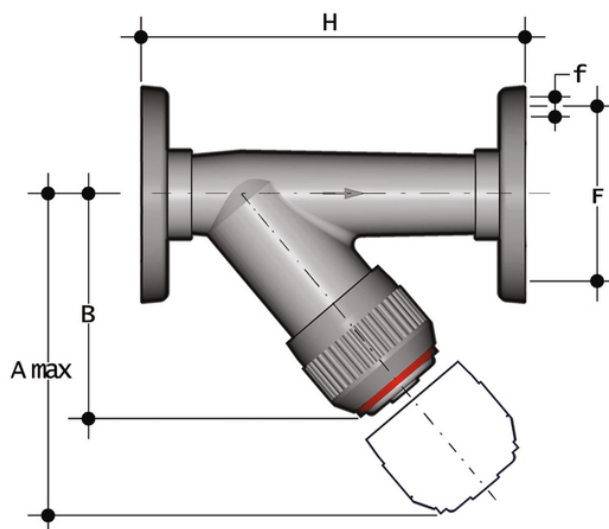


RVOAV-RVOAT D 20 ÷ 63 - Sediment strainer

RVOAV PVC-U rigid - RVOAT PVC-U transparent Sediment strainer with fixed flanges, drilled ANSI B16.5 cl.150 #FF



EPDM

Objednáací číslo	Materiál	Kategorie	Série	d	DN	product.detail.attribute.PN RVOAV	product.detail.attribute.PN RVOAT	product.detail.attribute.A max	B	produ
RVOAV012E	PVC-U system	Armatury	RV DN 10÷100	1/2"	15	16	10	125	72	60,3
RVOAT112E	PVC-U system	Armatury	RV DN 10÷100	1"1/2	40	16	10	210	120	98,4
RVOAT114E	PVC-U system	Armatury	RV DN 10÷100	1"1/4	32	16	10	190	111	88,9
RVOAT100E	PVC-U system	Armatury	RV DN 10÷100	1"	25	16	10	165	95	79,4
RVOAT034E	PVC-U system	Armatury	RV DN 10÷100	3/4"	20	16	10	145	84	69,9
RVOAT012E	PVC-U system	Armatury	RV DN 10÷100	1/2"	15	16	10	125	72	60,3
RVOAV200E	PVC-U system	Armatury	RV DN 10÷100	2"	50	16	10	240	139	120,7
RVOAV112E	PVC-U system	Armatury	RV DN 10÷100	1"1/2	40	16	10	210	120	98,4
RVOAV114E	PVC-U system	Armatury	RV DN 10÷100	1"1/4	32	16	10	190	111	88,9
RVOAV100E	PVC-U system	Armatury	RV DN 10÷100	1"	25	16	10	165	95	79,4

RVOAV-RVOAT D 20 ÷ 63 - Sediment strainer

Objednací číslo	Materiál	Kategorie	Série	d	DN	product.detail.attribute.PN RVOAV	product.detail.attribute.PN RVOAT	product.detail.attribute.A max	B	produkc
RVOAV034E	PVC-U system	Armatury	RV DN 10÷100	3/4"	20	16	10	145	84	69,9
RVOAT200E	PVC-U system	Armatury	RV DN 10÷100	2"	50	16	10	240	139	120,7



RVOAV-RVOAT D 20 ÷ 63 - Sediment strainer

- Connection system for solvent weld, threaded and flanged joints
- **Strainer** mounted on an easily removed **support** that facilitates the cleaning or replacement
- **Valve material compatibility** (PVC-U) with water conveyance, drinking water and other food substances according to **current regulations**
- Can be maintained with the valve body installed