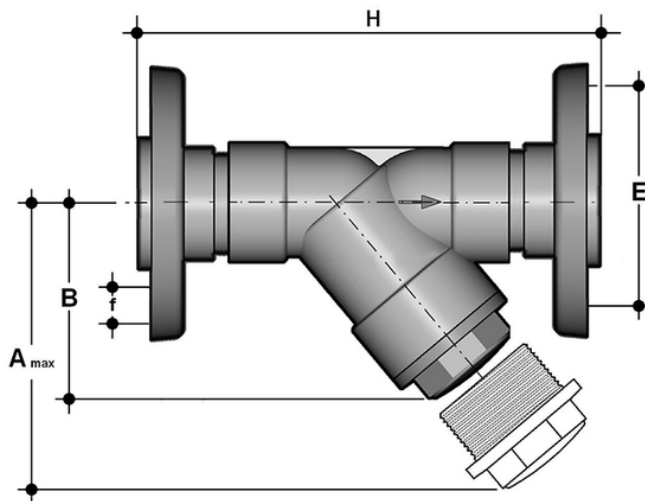


RVOAV-RVOAT D 75 ÷ 110 - Sediment strainer

RVOAV PVC-U rigid - RVOAT PVC-U transparent Sediment strainer with steel core backing ring , PP/FRP coated, drilled ANSI B16.5 cl.150 #FF



EPDM

Objednací číslo	Material	Kategorie	Série	d	DN	product.detail.attribute.PN RVOAV	product.detail.attribute.PN RVOAT	product.detail.attribute.A max	B	produ
RVOAV212E	PVC-U system	Armatury	RV DN 10÷100	2"1/2	65	10	6	300	179	139,7
RVOAV300E	PVC-U system	Armatury	RV DN 10÷100	3"	80	6	4	325	192	152,4
RVOAV400E	PVC-U system	Armatury	RV DN 10÷100	4"	100	6	4	385	231	190,5
RVOAT212E	PVC-U system	Armatury	RV DN 10÷100	2"1/2	65	10	6	300	179	139,7
RVOAT300E	PVC-U system	Armatury	RV DN 10÷100	3"	80	6	4	325	192	152,4
RVOAT400E	PVC-U system	Armatury	RV DN 10÷100	4"	100	6	4	385	231	190,5



RVOAV-RVOAT D 75 ÷ 110 - Sediment strainer

- Connection system for solvent weld, threaded and flanged joints
- **Strainer** mounted on an easily removed **support** that facilitates the cleaning or replacement
- **Valve material compatibility** (PVC-U) with water conveyance, drinking water and other food substances according to **current regulations**
- Can be maintained with the valve body installed