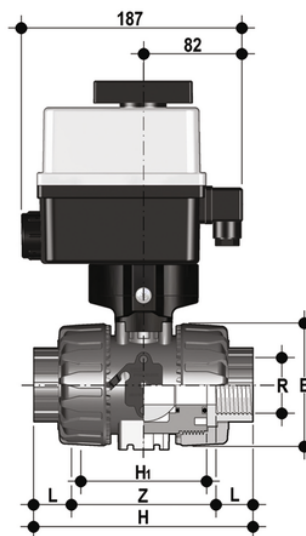


# VKDNV/CE 90-240 V AC - ELECTRICALLY ACTUATED DUAL BLOCK® 2-WAY BALL VALVE

2 way DUAL BLOCK® ball valve with NPT thread female ends with multi-volt electric actuator 90-240 V AC 50-60 Hz



## EPDM

Objednací číslo	Materiál	Kategorie	Série	product.detail.attribute.R	DN	PN	E	H	product.detail.attribute.H1	L	Z	B	pro	
VKDNVEM038E	FLS Measurement Instrumentation	Elektricky ovládané pohonované armatury	VKD/ CE DN 10÷50	3/8"	10	16	54	103	65		13,7	75,6	205	29
VKDNVEM012E	FLS Measurement Instrumentation	Elektricky ovládané pohonované armatury	VKD/ CE DN 10÷50	1/2"	15	16	54	111	65		17,8	75,4	205	29
VKDNVEM034E	FLS Measurement Instrumentation	Elektricky ovládané pohonované armatury	VKD/ CE DN 10÷50	3/4"	20	16	65	117	70		18	81	216	34
VKDNVEM100E	FLS Measurement Instrumentation	Elektricky ovládané pohonované armatury	VKD/ CE DN 10÷50	1"	25	16	73	135	78		22,6	89,8	221	39
VKDNVEM114E	FLS Measurement Instrumentation	Elektricky ovládané pohonované armatury	VKD/ CE DN 10÷50	1" 1/4	32	16	86	153	88		25,1	102,8	238	46
VKDNVEM112E	FLS Measurement Instrumentation	Elektricky ovládané pohonované armatury	VKD/ CE DN 10÷50	1" 1/2	40	16	98	156	93		24,7	106,6	244	52

# VKDNV/CE 90-240 V AC - ELECTRICALLY ACTUATED DUAL BLOCK® 2-WAY BALL VALVE

Objednací číslo	Materiál	Kategorie	Série	product.detail.attribute.R	DN	PN	E	H	product.detail.attribute.H1	L	Z	B	pro
VKDNVEM200E	FLS Measurement Instrumentation	Elektricky ovládané pohonované armatury	VKD/ CE DN 10÷50	2"	50	16	122	186	111	29,6	126,8	261	62

## FKM

Objednací číslo	Materiál	Kategorie	Série	product.detail.attribute.R	DN	PN	E	H	product.detail.attribute.H1	L	Z	B	pro
VKDNVEM038F	FLS Measurement Instrumentation	Elektricky ovládané pohonované armatury	VKD/ CE DN 10÷50	3/8"	10	16	54	103	65	13,7	75,6	205	29
VKDNVEM012F	FLS Measurement Instrumentation	Elektricky ovládané pohonované armatury	VKD/ CE DN 10÷50	1/2"	15	16	54	111	65	17,8	75,4	205	29
VKDNVEM034F	FLS Measurement Instrumentation	Elektricky ovládané pohonované armatury	VKD/ CE DN 10÷50	3/4"	20	16	65	117	70	18	81	216	34
VKDNVEM100F	FLS Measurement Instrumentation	Elektricky ovládané pohonované armatury	VKD/ CE DN 10÷50	1"	25	16	73	135	78	22,6	89,8	221	39
VKDNVEM114F	FLS Measurement Instrumentation	Elektricky ovládané pohonované armatury	VKD/ CE DN 10÷50	1" 1/4	32	16	86	153	88	25,1	102,8	238	46
VKDNVEM112F	FLS Measurement Instrumentation	Elektricky ovládané pohonované armatury	VKD/ CE DN 10÷50	1" 1/2	40	16	98	156	93	24,7	106,6	244	52
VKDNVEM200F	FLS Measurement Instrumentation	Elektricky ovládané pohonované armatury	VKD/ CE DN 10÷50	2"	50	16	122	186	111	29,6	126,8	261	62

# VKDNV/CE 90-240 V AC - ELECTRICALLY ACTUATED DUAL BLOCK® 2-WAY BALL VALVE

In addition to the manually actuated version, VKD is also available in VKD/CE electrically actuated and VKD/CP pneumatically actuated configurations. Actuators are firmly connected to the valve by the special FIP Power Quick modules fully made of PP-GR technopolymer. VKD/CE and VKD/CP are constructed with actuators meeting current regulations and selected by FIP according to their quality and reliability requirements. The efficiency of these valves, tested according to the company's quality standards, is guaranteed by the expertise and know-how that FIP dedicates to manufacturing its products.

- Electric actuator constructed according to FIP specifications; with plastic shell and standard emergency override. Available with voltages from 12 to 240V.
- Rack & pinion type pneumatic actuator constructed according to FIP specifications: fully protected against weather corrosion available in double-acting (DA) or simple-acting normally closed (NC) or normally open (NO) versions.
- DUAL BLOCK® patented lock system that ensures union nut tightening hold even in severe conditions such as vibrations or heat dilation.
- Double stem with double O-Rings for ball centring and operating torque reduction. The upper stem is also equipped with a co-moulded steel insert that guarantees high durability and perfect torque transmission between the actuator and ball.
- Sistema di giunzione per incollaggio (solo PVC-U e PVC-C), per saldatura (solo PP-H e PVDF), per filettatura e per flangiatura
- Sistema di supporto della sfera brevettato **SEAT STOP®**, che consente di effettuare una micro-registrazione delle tenute e di minimizzare l'effetto delle spinte assiali
- Facile smontaggio radiale dall'impianto e conseguente rapida sostituzione degli O-Ring e delle guarnizioni della sfera senza l'impiego di alcun attrezzo
- **Corpo valvola a smontaggio radiale** (True union) realizzato per stampaggio ad iniezione in PVC-U, PVC-C, PP-H o PVDF dotato di foratura integrata per l'attuazione.
- Requisiti di prova in accordo ISO 9393 Possibilità di smontaggio delle tubazioni a valle con la valvola in posizione di chiusura
- **Sfera a passaggio totale** di tipo flottante ad alta finitura superficiale
- **Supporto integrato** nel corpo per il fissaggio della valvola La regolazione del supporto della sfera può essere effettuata tramite il **kit di regolazione Easytorque**.