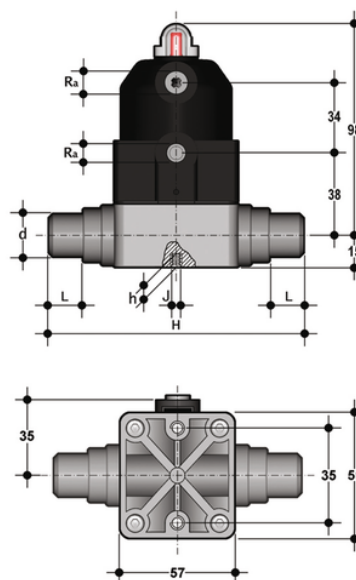


# CMDF/CP DA – PNEUMATICALLY ACTUATED COMPACT DIAPHRAGM VALVE DN 12:15

Pneumatically actuated diaphragm valve with metric plain spigot ends for socket welding, Double Acting.



## EPDM

| Objednací číslo | Materiál                        | Kategorie                                | Série          | d  | DN | PN | product.detail.attribute.B1 | product.detail.attribute.Ra | L  | H   | product.detail.attr |
|-----------------|---------------------------------|--|----------------|----|----|----|-----------------------------|-----------------------------|----|-----|---------------------|
| CMDFDA020E      | FLS Measurement Instrumentation | Pneumaticky ovládané pohonované armatury | CM/CP DN 12÷15 | 20 | 15 | 6  | 12.5                        | G 1/4"                      | 17 | 124 | 8                   |

## FKM

| Objednací číslo | Materiál                        | Kategorie                                | Série          | d  | DN | PN | product.detail.attribute.B1 | product.detail.attribute.Ra | L  | H   | product.detail.attr |
|-----------------|---------------------------------|--|----------------|----|----|----|-----------------------------|-----------------------------|----|-----|---------------------|
| CMDFDA020F      | FLS Measurement Instrumentation | Pneumaticky ovládané pohonované armatury | CM/CP DN 12÷15 | 20 | 15 | 6  | 12.5                        | G 1/4"                      | 17 | 124 | 8                   |

## PTFE

| Objednací číslo | Materiál                        | Kategorie                                | Série          | d  | DN | PN | product.detail.attribute.B1 | product.detail.attribute.Ra | L  | H   | product.detail.attr |
|-----------------|---------------------------------|--|----------------|----|----|----|-----------------------------|-----------------------------|----|-----|---------------------|
| CMDFDA020P      | FLS Measurement Instrumentation | Pneumaticky ovládané pohonované armatury | CM/CP DN 12÷15 | 20 | 15 | 6  | 12.5                        | G 1/4"                      | 17 | 124 | 8                   |

# CMDF/CP DA – PNEUMATICALLY ACTUATED COMPACT DIAPHRAGM VALVE DN 12:15

The new compact and light piston actuator in PP-GR makes the CM/CP the ideal choice for applications requiring very frequent valve operation and a long valve lifetime.

- Compact and lightweight piston actuator in PP-GR, free of exposed metallic parts, particularly suited for use in severe environmental and chemically aggressive conditions.
- High strength IXEF piston guarantees high reliability over time without maintenance.
- High visibility graduated optical position indicator protected by a transparent cap with a seal O-Ring.
  
- The valve is impervious to fluids containing impurities
- It has an high flow rate
- It can be installed in any position
- It has an extremely compact structure
- It is actuated by a dry running piston and does not require maintenance
- It has no protruding screws and is fully free of impurity deposits
- Allows for an easy diaphragm seal replacement
- The Standard version valve comes with a position indicator.