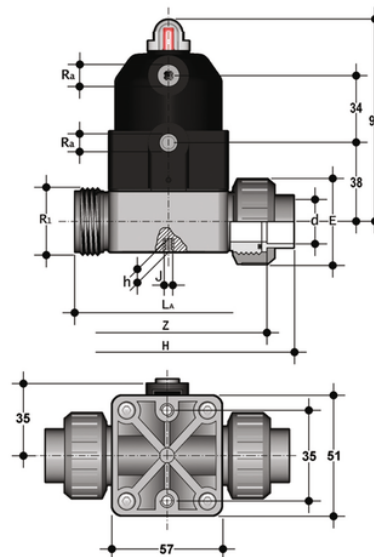


CMUIM/CP NC – PNEUMATICALLY ACTUATED COMPACT DIAPHRAGM VALVE WITH PISTON ACTUATOR DN 12:15

Pneumatically actuated compact diaphragm valve with unionised metric plain socket ends for socket welding, Normally Closed.



EPDM

| Objednací číslo | Materiál | Kategorie | Série | d | DN | PN | E | product.detail.attribute.R1 | product.detail.attribute.Ra | LA | Z | H | produ |
|-----------------|---------------------------------------|---|--------------------------|----|----|----|------|-----------------------------|-----------------------------|----|----|-----|-------|
| CMUIMNC020E | FLS Measurement Instrumentation | Pneumaticky ovládané pohonované armatury | CM/ CP DN 12÷15 | 20 | 15 | 6 | 47.5 | 1" | G 1/4" | 90 | 98 | 130 | 8 |

FKM

| Objednací číslo | Materiál | Kategorie | Série | d | DN | PN | E | product.detail.attribute.R1 | product.detail.attribute.Ra | LA | Z | H | produ |
|-----------------|---------------------------------------|---|--------------------------|----|----|----|------|-----------------------------|-----------------------------|----|----|-----|-------|
| CMUIMNC020F | FLS Measurement Instrumentation | Pneumaticky ovládané pohonované armatury | CM/ CP DN 12÷15 | 20 | 15 | 6 | 47.5 | 1" | G 1/4" | 90 | 98 | 130 | 8 |

PTFE

| Objednací číslo | Materiál | Kategorie | Série | d | DN | PN | E | product.detail.attribute.R1 | product.detail.attribute.Ra | LA | Z | H | produ |
|-----------------|---------------------------------------|---|--------------------------|----|----|----|------|-----------------------------|-----------------------------|----|----|-----|-------|
| CMUIMNC020P | FLS Measurement Instrumentation | Pneumaticky ovládané pohonované armatury | CM/ CP DN 12÷15 | 20 | 15 | 6 | 47.5 | 1" | G 1/4" | 90 | 98 | 130 | 8 |

CMUIM/CP NC – PNEUMATICALLY ACTUATED COMPACT DIAPHRAGM VALVE WITH PISTON ACTUATOR DN 12:15

The new compact and light piston actuator in PP-GR makes the CM/CP the ideal choice for applications requiring very frequent valve operation and a long valve lifetime.

- Compact and lightweight piston actuator in PP-GR, free of exposed metallic parts, particularly suited for use in severe environmental and chemically aggressive conditions.
- High strength IXEF piston guarantees high reliability over time without maintenance.
- High visibility graduated optical position indicator protected by a transparent cap with a seal O-Ring.

- The valve is impervious to fluids containing impurities
- It has an high flow rate
- It can be installed in any position
- It has an extremely compact structure
- It is actuated by a dry running piston and does not require maintenance
- It has no protruding screws and is fully free of impurity deposits
- Allows for an easy diaphragm seal replacement
- The Standard version valve comes with a position indicator.