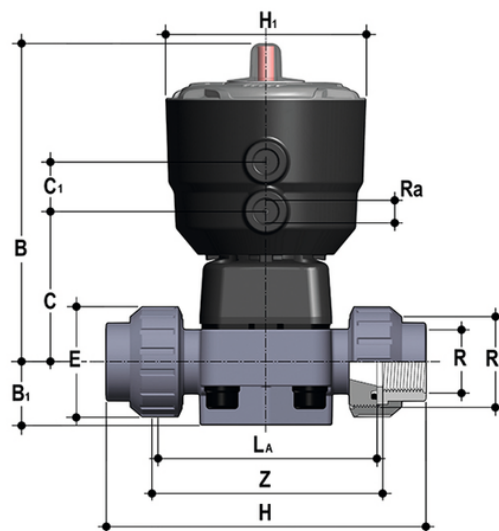


DKUFV/CP DA – Pneumatically actuated 2-way diaphragm valve PN 10 DN 15:65

Pneumatically actuated diaphragm valve with BSP threaded female union ends. Double-Acting function.



EPDM

| Objednací číslo | Materiál | Kategorie | Série | product.detail.attribute.R | DN | PN | B | B (5:1) | C | C (5:1) | E | H | H (5:1) | product.detail.attribute |
|-----------------|---------------------------------------|--|--------------------------|----------------------------|----|----|-----|---------|-----|---------|----|-----|---------|--------------------------|
| DKUFVDA012E | FLS Measurement Instrumentation | Pneumaticky ovládané pohonované armatury | DK/ CP DN 15÷65 | 1/2" | 15 | 10 | 148 | 25 | 66 | 24 | 41 | 131 | 97 | 90 |
| DKUFVDA034E | FLS Measurement Instrumentation | Pneumaticky ovládané pohonované armatury | DK/ CP DN 15÷65 | 3/4" | 20 | 10 | 151 | 30 | 69 | 24 | 50 | 151 | 97 | 108 |
| DKUFVDA100E | FLS Measurement Instrumentation | Pneumaticky ovládané pohonované armatury | DK/ CP DN 15÷65 | 1" | 25 | 10 | 159 | 33 | 78 | 24 | 58 | 165 | 97 | 116 |
| DKUFVDA114E | FLS Measurement Instrumentation | Pneumaticky ovládané pohonované armatury | DK/ CP DN 15÷65 | 1 1/4" | 32 | 10 | 163 | 30 | 82 | 24 | 72 | 188 | 97 | 134 |
| DKUFVDA112E | FLS Measurement Instrumentation | Pneumaticky ovládané pohonované armatury | DK/ CP DN 15÷65 | 1 1/2" | 40 | 10 | 207 | 35 | 112 | 24 | 79 | 208 | 126 | 154 |
| DKUFVDA200E | FLS Measurement Instrumentation | Pneumaticky ovládané | DK/ CP | 2" | 50 | 10 | 245 | 46 | 142 | 24 | 98 | 246 | 157 | 184 |

DKUFV/CP DA - Pneumatically actuated 2-way diaphragm valve

PN 10 DN 15:65

| Objednací číslo | Materiál | Kategorie | Série | product.detail.attribute.R | DN | PN | B | B (5:1) | C | C (5:1) | E | H | H (5:1) | product.detail.attribute |
|-----------------|----------|---------------------|----------|----------------------------|----|----|---|---------|---|---------|---|---|---------|--------------------------|
| | | pohonované armatury | DN 15÷65 | | | | | | | | | | | |

FKM

| Objednací číslo | Materiál | Kategorie | Série | product.detail.attribute.R | DN | PN | B | B (5:1) | C | C (5:1) | E | H | H (5:1) | product.detail.attribute |
|-----------------|---------------------------------|--|----------------|----------------------------|----|----|-----|---------|-----|---------|----|-----|---------|--------------------------|
| DKUFVDA012F | FLS Measurement Instrumentation | Pneumaticky ovládané pohonované armatury | DK/CP DN 15÷65 | 1/2" | 15 | 10 | 148 | 25 | 66 | 24 | 41 | 131 | 97 | 90 |
| DKUFVDA034F | FLS Measurement Instrumentation | Pneumaticky ovládané pohonované armatury | DK/CP DN 15÷65 | 3/4" | 20 | 10 | 151 | 30 | 69 | 24 | 50 | 151 | 97 | 108 |
| DKUFVDA100F | FLS Measurement Instrumentation | Pneumaticky ovládané pohonované armatury | DK/CP DN 15÷65 | 1" | 25 | 10 | 159 | 33 | 78 | 24 | 58 | 165 | 97 | 116 |
| DKUFVDA114F | FLS Measurement Instrumentation | Pneumaticky ovládané pohonované armatury | DK/CP DN 15÷65 | 1 1/4" | 32 | 10 | 163 | 30 | 82 | 24 | 72 | 188 | 97 | 134 |
| DKUFVDA112F | FLS Measurement Instrumentation | Pneumaticky ovládané pohonované armatury | DK/CP DN 15÷65 | 1 1/2" | 40 | 10 | 207 | 35 | 112 | 24 | 79 | 208 | 126 | 154 |
| DKUFVDA200F | FLS Measurement Instrumentation | Pneumaticky ovládané pohonované armatury | DK/CP DN 15÷65 | 2" | 50 | 10 | 245 | 46 | 142 | 24 | 98 | 246 | 157 | 184 |

PTFE

| Objednací číslo | Materiál | Kategorie | Série | product.detail.attribute.R | DN | PN | B | B (5:1) | C | C (5:1) | E | H | H (5:1) | product.detail.attribute |
|-----------------|---------------------------------|--|----------------|----------------------------|----|----|-----|---------|----|---------|----|-----|---------|--------------------------|
| DKUFVDA012P | FLS Measurement Instrumentation | Pneumaticky ovládané pohonované armatury | DK/CP DN 15÷65 | 1/2" | 15 | 10 | 148 | 25 | 66 | 24 | 41 | 131 | 97 | 90 |
| DKUFVDA034P | FLS Measurement Instrumentation | Pneumaticky ovládané pohonované armatury | DK/CP DN 15÷65 | 3/4" | 20 | 10 | 151 | 30 | 69 | 24 | 50 | 151 | 97 | 108 |
| DKUFVDA100P | FLS Measurement Instrumentation | Pneumaticky ovládané | DK/CP | 1" | 25 | 10 | 159 | 33 | 78 | 24 | 58 | 165 | 97 | 116 |

DKUFV/CP DA - Pneumatically actuated 2-way diaphragm valve

PN 10 DN 15:65

| Objednací číslo | Materiál | Kategorie | Série | product.detail.attribute.R | DN | PN | B | B (5:1) | C | C (5:1) | E | H | H (5:1) | product.detail.attribute |
|-----------------|---------------------------------|--|----------------|----------------------------|----|----|-----|---------|-----|---------|----|-----|---------|--------------------------|
| | | pohonované armatury | DN 15÷65 | | | | | | | | | | | |
| DKUFVDA114P | FLS Measurement Instrumentation | Pneumatically ovládané pohonované armatury | DK/CP DN 15÷65 | 1"1/4 | 32 | 10 | 163 | 30 | 82 | 24 | 72 | 188 | 97 | 134 |
| DKUFVDA112P | FLS Measurement Instrumentation | Pneumatically ovládané pohonované armatury | DK/CP DN 15÷65 | 1"1/2 | 40 | 10 | 207 | 35 | 112 | 24 | 79 | 208 | 126 | 154 |
| DKUFVDA200P | FLS Measurement Instrumentation | Pneumatically ovládané pohonované armatury | DK/CP DN 15÷65 | 2" | 50 | 10 | 245 | 46 | 142 | 24 | 98 | 246 | 157 | 184 |

DKUFV/CP DA – Pneumatically actuated 2-way diaphragm valve PN 10 DN 15:65

The new compact and light piston actuator in PP-GR makes the DK/CP the ideal choice for applications requiring very frequent valve operation and a long valve lifetime.

- **High visibility graduated optical position indicator** protected by a transparent cap with a seal O-Ring
- **Compact and light piston in PP-GR**, ideal for heavy-duty applications in chemically aggressive environments with a **diaphragm perimeter containment system** that ensures the perfect compression of the rubber without any lateral expansion
- **Piston in high strength IXEF®**. The high quality finishing of the external surface guarantees perfect slidability over the seal and ensures a long working life without any actuator maintenance
- High strength **stainless steel stem** with double seal O-Ring. Floating **pin connection** between the actuator stem and diaphragm to prevent concentrated loads, improve the seal and extend its lifetime
- Actuator equipped with **6 independent cartridge springs** arranged radially to uniformly distribute the load on the piston
- **Dual function main gasket. Piston seal:** the gasket does not move but sits securely on the actuator cylinder instead of the piston. **External seal:** the gasket positioned above the threaded joint between the bonnet and cylinder ensures that the coupling is not stressed by the pressure inside the actuator
- Easy installation in confined spaces: **compressed air inlets with G 1/4" threaded adjustable connections** to enable alignment with the piping. PPGR connections prevent any risk of corrosion
- **New valve body internal design. Substantially higher flow coefficient** and lower pressure drops. The degree of efficiency reached has also enabled the **size and weight of the valve to be reduced. Adjustment linearity:** the internal profiles of the valve greatly improve its characteristic curve, allowing **extremely sensitive and precise adjustment** along the entire length of the shutter stroke
- Joint system for solvent welding (PVC-U and PVC-C only), for welding (PP-H and PVDF only), for threading and flanging
- **Optimised fluid dynamic design:** maximum output flow rate thanks to the optimised efficiency of the fluid dynamics that characterise the new internal geometry of the body
- **Internal operating components in metal totally isolated from the conveyed fluid** and external environment
- **Modularity of the range:** only 2 hand wheels and 4 diaphragms and bonnet sizes for 7 different valve sizes
- Non-salient hand wheel, equipped with a graduated optical indicator and protected by a transparent PVC cap with sealing O-ring
- Bonnet fastening screws in STAINLESS steel protected by PE plugs. Absence of metal parts exposed to the external environment to prevent any risk of corrosion
- **New flanged bodies:** the new bodies, characterised by a monolithic flanged structure, are available in PVC-U, PVC-C, PP-H and PVDF. This design, free of joints between the body and flanges, greatly reduces mechanical stress and increases system performance
- **CDSA seal system** (Circular Diaphragm Sealing Angle) with a uniform distribution of the shutter pressure on the sealing membrane offers the following advantages:
 - Operating torque reduction
 - Reduced mechanical stress on all valve components (actuator, body and diaphragm)
 - Low risk of the accumulation of deposits, contamination or damage to the diaphragm due to crystallisation
 - Easy to clean valve interior