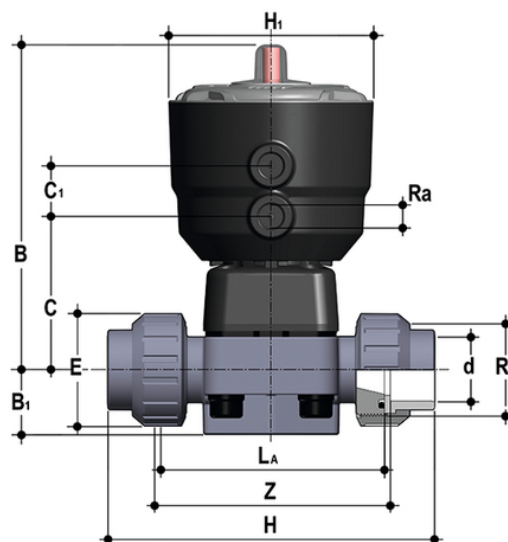


DKUIV/CP DA – Pneumatically actuated 2-way diaphragm valve PN 10 DN 15:65

Pneumatically actuated diaphragm valve with female union ends, metric series. Double-Acting function.



EPDM

Objednací číslo	Materiál	Kategorie	Série	d	DN	PN	B	B (5:1)	C	C (5:1)	E	H	H (5:1)	product.detail.attribute.L[5:a]	product.detail.c
DKUIVDA020E	FLS Measurement Instrumentation	Pneumaticky ovládané pohonované armatury	DK/CP DN 15÷65	20	15	10	148	25	66	24	41	129	97	90	1"
DKUIVDA025E	FLS Measurement Instrumentation	Pneumaticky ovládané pohonované armatury	DK/CP DN 15÷65	25	20	10	151	30	69	24	50	154	97	108	1"1/4
DKUIVDA032E	FLS Measurement Instrumentation	Pneumaticky ovládané pohonované armatury	DK/CP DN 15÷65	32	25	10	159	33	78	24	58	168	97	116	1"1/2
DKUIVDA040E	FLS Measurement Instrumentation	Pneumaticky ovládané pohonované armatury	DK/CP DN 15÷65	40	32	10	163	30	82	24	72	192	97	134	2"
DKUIVDA050E	FLS Measurement Instrumentation	Pneumaticky ovládané pohonované armatury	DK/CP DN 15÷65	50	40	10	207	35	112	24	79	222	126	154	2"1/4
DKUIVDA063E	FLS Measurement Instrumentation	Pneumaticky ovládané	DK/CP	63	50	10	245	46	142	24	98	266	157	184	2"3/4

DKUIV/CP DA – Pneumatically actuated 2-way diaphragm valve

PN 10 DN 15:65

Objednací číslo	Materiál	Kategorie	Série	d	DN	PN	B	B (5:1)	C	C (5:1)	E	H	H (5:1)	product.detail.attribute.L[5:a]	product.detail.c
		pohonované armatury	DN 15÷65												

FKM

Objednací číslo	Materiál	Kategorie	Série	d	DN	PN	B	B (5:1)	C	C (5:1)	E	H	H (5:1)	product.detail.attribute.L[5:a]	product.detail.c
DKUIVDA020F	FLS Measurement Instrumentation	Pneumatically ovládané pohonované armatury	DK/CP DN 15÷65	20	15	10	148	25	66	24	41	129	97	90	1"
DKUIVDA025F	FLS Measurement Instrumentation	Pneumatically ovládané pohonované armatury	DK/CP DN 15÷65	25	20	10	151	30	69	24	50	154	97	108	1"1/4
DKUIVDA032F	FLS Measurement Instrumentation	Pneumatically ovládané pohonované armatury	DK/CP DN 15÷65	32	25	10	159	33	78	24	58	168	97	116	1"1/2
DKUIVDA040F	FLS Measurement Instrumentation	Pneumatically ovládané pohonované armatury	DK/CP DN 15÷65	40	32	10	163	30	82	24	72	192	97	134	2"
DKUIVDA050F	FLS Measurement Instrumentation	Pneumatically ovládané pohonované armatury	DK/CP DN 15÷65	50	40	10	207	35	112	24	79	222	126	154	2"1/4
DKUIVDA063F	FLS Measurement Instrumentation	Pneumatically ovládané pohonované armatury	DK/CP DN 15÷65	63	50	10	245	46	142	24	98	266	157	184	2"3/4

PTFE

Objednací číslo	Materiál	Kategorie	Série	d	DN	PN	B	B (5:1)	C	C (5:1)	E	H	H (5:1)	product.detail.attribute.L[5:a]	product.detail.c
DKUIVDA020P	FLS Measurement Instrumentation	Pneumatically ovládané pohonované armatury	DK/CP DN 15÷65	20	15	10	148	25	66	24	41	129	97	90	1"
DKUIVDA025P	FLS Measurement Instrumentation	Pneumatically ovládané pohonované armatury	DK/CP DN 15÷65	25	20	10	151	30	69	24	50	154	97	108	1"1/4
DKUIVDA032P	FLS Measurement Instrumentation	Pneumatically ovládané pohonované armatury	DK/CP DN 15÷65	32	25	10	159	33	78	24	58	168	97	116	1"1/2

DKUIV/CP DA – Pneumatically actuated 2-way diaphragm valve PN 10 DN 15:65

Objednací číslo	Materiál	Kategorie	Série	d	DN	PN	B	B (5:1)	C	C (5:1)	E	H	H (5:1)	product.detail.attribute.L[5:a]	product.detail.c
		pohonované armatury	DN 15÷65												
DKUIVDA040P	FLS Measurement Instrumentation	Pneumaticky ovládané pohonované armatury	DK/CP DN 15÷65	40	32	10	163	30	82	24	72	192	97	134	2"
DKUIVDA050P	FLS Measurement Instrumentation	Pneumaticky ovládané pohonované armatury	DK/CP DN 15÷65	50	40	10	207	35	112	24	79	222	126	154	2"1/4
DKUIVDA063P	FLS Measurement Instrumentation	Pneumaticky ovládané pohonované armatury	DK/CP DN 15÷65	63	50	10	245	46	142	24	98	266	157	184	2"3/4

DKUIV/CP DA – Pneumatically actuated 2-way diaphragm valve PN 10 DN 15:65

The new compact and light piston actuator in PP-GR makes the DK/CP the ideal choice for applications requiring very frequent valve operation and a long valve lifetime.

- **High visibility graduated optical position indicator** protected by a transparent cap with a seal O-Ring
- **Compact and light piston in PP-GR**, ideal for heavy-duty applications in chemically aggressive environments with **a diaphragm perimeter containment system** that ensures the perfect compression of the rubber without any lateral expansion
- **Piston in high strength IXEF®**. The high quality finishing of the external surface guarantees perfect slidability over the seal and ensures a long working life without any actuator maintenance
- High strength **stainless steel stem** with double seal O-Ring. Floating **pin connection** between the actuator stem and diaphragm to prevent concentrated loads, improve the seal and extend its lifetime
- Actuator equipped with **6 independent cartridge springs** arranged radially to uniformly distribute the load on the piston
- **Dual function main gasket. Piston seal:** the gasket does not move but sits securely on the actuator cylinder instead of the piston. **External seal:** the gasket positioned above the threaded joint between the bonnet and cylinder ensures that the coupling is not stressed by the pressure inside the actuator
- Easy installation in confined spaces: **compressed air inlets with G 1/4" threaded adjustable connections** to enable alignment with the piping. PPGR connections prevent any risk of corrosion
- **New valve body internal design. Substantially higher flow coefficient** and lower pressure drops. The degree of efficiency reached has also enabled the **size and weight of the valve to be reduced. Adjustment linearity:** the internal profiles of the valve greatly improve its characteristic curve, allowing **extremely sensitive and precise adjustment** along the entire length of the shutter stroke
- Joint system for solvent welding (PVC-U and PVC-C only), for welding (PP-H and PVDF only), for threading and flanging
- **Optimised fluid dynamic design:** maximum output flow rate thanks to the optimised efficiency of the fluid dynamics that characterise the new internal geometry of the body
- **Internal operating components in metal totally isolated from the conveyed fluid** and external environment
- **Modularity of the range:** only 2 hand wheels and 4 diaphragms and bonnet sizes for 7 different valve sizes
- Non-salient hand wheel, equipped with a graduated optical indicator and protected by a transparent PVC cap with sealing O-ring
- Bonnet fastening screws in STAINLESS steel protected by PE plugs. Absence of metal parts exposed to the external environment to prevent any risk of corrosion
- **New flanged bodies:** the new bodies, characterised by a monolithic flanged structure, are available in PVC-U, PVC-C, PP-H and PVDF. This design, free of joints between the body and flanges, greatly reduces mechanical stress and increases system performance
- **CDSA seal system** (Circular Diaphragm Sealing Angle) with a uniform distribution of the shutter pressure on the sealing membrane offers the following advantages:
 - Operating torque reduction
 - Reduced mechanical stress on all valve components (actuator, body and diaphragm)
 - Low risk of the accumulation of deposits, contamination or damage to the diaphragm due to crystallisation
 - Easy to clean valve interior