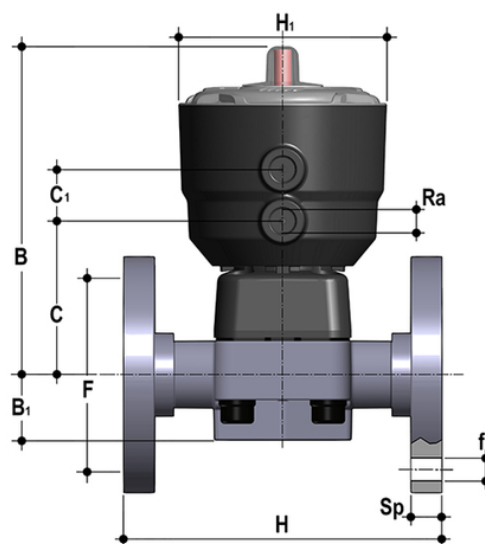


# DKOV/CP DA - Pneumatically actuated 2-way diaphragm valve PN 10 DN 15:65

Pneumatically actuated diaphragm valve with flanged monolithic body, drilled PN10/16. Face to face according to EN 558-1. Double-Acting function.



## EPDM

| Objednací číslo | Materiál                        | Kategorie                                | Série          | d  | DN | PN | B   | B (5:1) | C   | C (5:1) | product.detail.attribute.F | product.detail.attribute.Øf | H   | H (5:1) |
|-----------------|---------------------------------|--|----------------|----|----|----|-----|---------|-----|---------|----------------------------|-----------------------------|-----|---------|
| DKOVDA020E      | FLS Measurement Instrumentation | Pneumaticky ovládané pohonované armatury | DK/CP DN 15÷65 | 20 | 15 | 10 | 148 | 25      | 66  | 24      | 65                         | 14                          | 130 | 9       |
| DKOVDA025E      | FLS Measurement Instrumentation | Pneumaticky ovládané pohonované armatury | DK/CP DN 15÷65 | 25 | 20 | 10 | 151 | 30      | 69  | 24      | 75                         | 14                          | 150 | 9       |
| DKOVDA032E      | FLS Measurement Instrumentation | Pneumaticky ovládané pohonované armatury | DK/CP DN 15÷65 | 32 | 25 | 10 | 159 | 33      | 78  | 24      | 85                         | 14                          | 160 | 9       |
| DKOVDA040E      | FLS Measurement Instrumentation | Pneumaticky ovládané pohonované armatury | DK/CP DN 15÷65 | 40 | 32 | 10 | 163 | 30      | 82  | 24      | 100                        | 18                          | 180 | 9       |
| DKOVDA050E      | FLS Measurement Instrumentation | Pneumaticky ovládané pohonované armatury | DK/CP DN 15÷65 | 50 | 40 | 10 | 207 | 35      | 112 | 24      | 110                        | 18                          | 200 | 11      |

# DKOV/CP DA – Pneumatically actuated 2-way diaphragm valve PN 10 DN 15:65

| Objednací číslo | Materiál                        | Kategorie                                | Série          | d  | DN | PN | B   | B (5:1) | C   | C (5:1) | product.detail.attribute.F | product.detail.attribute.Øf | H   | H (5:1) |
|-----------------|---------------------------------|--|----------------|----|----|----|-----|---------|-----|---------|----------------------------|-----------------------------|-----|---------|
| DKOVDA063E      | FLS Measurement Instrumentation | Pneumaticky ovládané pohonované armatury | DK/CP DN 15÷65 | 63 | 50 | 10 | 245 | 46      | 142 | 24      | 125                        | 18                          | 230 | 15      |
| DKOVDA075E      | FLS Measurement Instrumentation | Pneumaticky ovládané pohonované armatury | DK/CP DN 15÷65 | 75 | 65 | 10 | 245 | 46      | 142 | 24      | 145                        | 18                          | 290 | 15      |

## FKM

| Objednací číslo | Materiál                        | Kategorie                                | Série          | d  | DN | PN | B   | B (5:1) | C   | C (5:1) | product.detail.attribute.F | product.detail.attribute.Øf | H   | H (5:1) |
|-----------------|---------------------------------|--|----------------|----|----|----|-----|---------|-----|---------|----------------------------|-----------------------------|-----|---------|
| DKOVDA020F      | FLS Measurement Instrumentation | Pneumaticky ovládané pohonované armatury | DK/CP DN 15÷65 | 20 | 15 | 10 | 148 | 25      | 66  | 24      | 65                         | 14                          | 130 | 9       |
| DKOVDA025F      | FLS Measurement Instrumentation | Pneumaticky ovládané pohonované armatury | DK/CP DN 15÷65 | 25 | 20 | 10 | 151 | 30      | 69  | 24      | 75                         | 14                          | 150 | 9       |
| DKOVDA032F      | FLS Measurement Instrumentation | Pneumaticky ovládané pohonované armatury | DK/CP DN 15÷65 | 32 | 25 | 10 | 159 | 33      | 78  | 24      | 85                         | 14                          | 160 | 9       |
| DKOVDA040F      | FLS Measurement Instrumentation | Pneumaticky ovládané pohonované armatury | DK/CP DN 15÷65 | 40 | 32 | 10 | 163 | 30      | 82  | 24      | 100                        | 18                          | 180 | 9       |
| DKOVDA050F      | FLS Measurement Instrumentation | Pneumaticky ovládané pohonované armatury | DK/CP DN 15÷65 | 50 | 40 | 10 | 207 | 35      | 112 | 24      | 110                        | 18                          | 200 | 15      |
| DKOVDA063F      | FLS Measurement Instrumentation | Pneumaticky ovládané pohonované armatury | DK/CP DN 15÷65 | 63 | 50 | 10 | 245 | 46      | 142 | 24      | 125                        | 18                          | 230 | 15      |
| DKOVDA075F      | FLS Measurement Instrumentation | Pneumaticky ovládané pohonované armatury | DK/CP DN 15÷65 | 75 | 65 | 10 | 245 | 46      | 142 | 24      | 145                        | 18                          | 290 | 15      |

## PTFE

# DKOV/CP DA – Pneumatically actuated 2-way diaphragm valve PN 10 DN 15:65

| Objednací číslo | Materiál                        | Kategorie                                | Série          | d  | DN | PN | B   | B (5:1) | C   | C (5:1) | product.detail.attribute.F | product.detail.attribute.Øf | H   | H (5:1) |
|-----------------|---------------------------------|--|----------------|----|----|----|-----|---------|-----|---------|----------------------------|-----------------------------|-----|---------|
| DKOVDA020P      | FLS Measurement Instrumentation | Pneumaticky ovládané pohonované armatury | DK/CP DN 15÷65 | 20 | 15 | 10 | 148 | 25      | 66  | 24      | 65                         | 14                          | 130 | 9       |
| DKOVDA025P      | FLS Measurement Instrumentation | Pneumaticky ovládané pohonované armatury | DK/CP DN 15÷65 | 25 | 20 | 10 | 151 | 30      | 69  | 24      | 75                         | 14                          | 150 | 9       |
| DKOVDA032P      | FLS Measurement Instrumentation | Pneumaticky ovládané pohonované armatury | DK/CP DN 15÷65 | 32 | 25 | 10 | 159 | 33      | 78  | 24      | 85                         | 14                          | 160 | 9       |
| DKOVDA040P      | FLS Measurement Instrumentation | Pneumaticky ovládané pohonované armatury | DK/CP DN 15÷65 | 40 | 32 | 10 | 163 | 30      | 82  | 24      | 100                        | 18                          | 180 | 9       |
| DKOVDA050P      | FLS Measurement Instrumentation | Pneumaticky ovládané pohonované armatury | DK/CP DN 15÷65 | 50 | 40 | 10 | 207 | 35      | 112 | 24      | 110                        | 18                          | 200 | 1       |
| DKOVDA063P      | FLS Measurement Instrumentation | Pneumaticky ovládané pohonované armatury | DK/CP DN 15÷65 | 63 | 50 | 10 | 245 | 46      | 142 | 24      | 125                        | 18                          | 230 | 1       |
| DKOVDA075P      | FLS Measurement Instrumentation | Pneumaticky ovládané pohonované armatury | DK/CP DN 15÷65 | 75 | 65 | 10 | 245 | 46      | 142 | 24      | 145                        | 18                          | 290 | 1       |

# DKOV/CP DA – Pneumatically actuated 2-way diaphragm valve PN 10 DN 15:65

The new compact and light piston actuator in PP-GR makes the DK/CP the ideal choice for applications requiring very frequent valve operation and a long valve lifetime.

- **High visibility graduated optical position indicator** protected by a transparent cap with a seal O-Ring
- **Compact and light piston in PP-GR**, ideal for heavy-duty applications in chemically aggressive environments with **a diaphragm perimeter containment system** that ensures the perfect compression of the rubber without any lateral expansion
- **Piston in high strength IXEF®**. The high quality finishing of the external surface guarantees perfect slidability over the seal and ensures a long working life without any actuator maintenance
- High strength **stainless steel stem** with double seal O-Ring. Floating **pin connection** between the actuator stem and diaphragm to prevent concentrated loads, improve the seal and extend its lifetime
- Actuator equipped with **6 independent cartridge springs** arranged radially to uniformly distribute the load on the piston
- **Dual function main gasket. Piston seal:** the gasket does not move but sits securely on the actuator cylinder instead of the piston. **External seal:** the gasket positioned above the threaded joint between the bonnet and cylinder ensures that the coupling is not stressed by the pressure inside the actuator
- Easy installation in confined spaces: **compressed air inlets with G 1/4" threaded adjustable connections** to enable alignment with the piping. PPGR connections prevent any risk of corrosion
- **New valve body internal design. Substantially higher flow coefficient** and lower pressure drops. The degree of efficiency reached has also enabled the **size and weight of the valve to be reduced. Adjustment linearity:** the internal profiles of the valve greatly improve its characteristic curve, allowing **extremely sensitive and precise adjustment** along the entire length of the shutter stroke
- Joint system for solvent welding (PVC-U and PVC-C only), for welding (PP-H and PVDF only), for threading and flanging
- **Optimised fluid dynamic design:** maximum output flow rate thanks to the optimised efficiency of the fluid dynamics that characterise the new internal geometry of the body
- **Internal operating components in metal totally isolated from the conveyed fluid** and external environment
- **Modularity of the range:** only 2 hand wheels and 4 diaphragms and bonnet sizes for 7 different valve sizes
- Non-salient hand wheel, equipped with a graduated optical indicator and protected by a transparent PVC cap with sealing O-ring
- Bonnet fastening screws in STAINLESS steel protected by PE plugs Absence of metal parts exposed to the external environment to prevent any risk of corrosion
- **New flanged bodies:** the new bodies, characterised by a monolithic flanged structure, are available in PVC-U, PVC-C, PP-H and PVDF. This design, free of joints between the body and flanges, greatly reduces mechanical stress and increases system performance
- **CDSA seal system** (Circular Diaphragm Sealing Angle) with a uniform distribution of the shutter pressure on the sealing membrane offers the following advantages:
  - Operating torque reduction
  - Reduced mechanical stress on all valve components (actuator, body and diaphragm)
  - Low risk of the accumulation of deposits, contamination or damage to the diaphragm due to crystallisation
  - Easy to clean valve interior