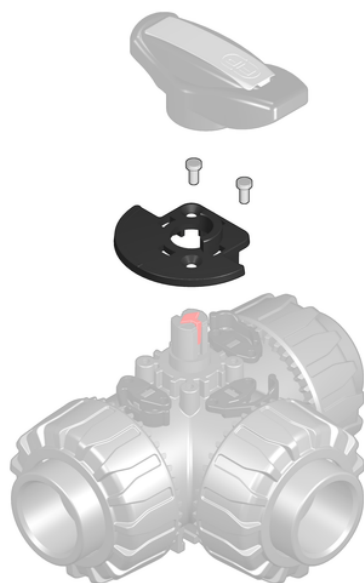


## LTKD

The LTKD stroke limiter specifically permits handle and ball rotation only at set opening and closing angles. The LTKD090 version permits operations for 90° angles while the LTKD180 version for 180° angles. The LTKD stroke limiter is made up of a single removable plate made of technopolymer. Designed for ISO 5211 bore and specifically designed to be directly housed on the valve body mounting flange. It is secured to the valve body by self-tapping screws or plastic rivets.



Objednací číslo	Materiál	Kategorie	d	DN	product.detail.attribute.to be used with:
LTKD180020	FLS Measurement Instrumentation	Příslušenství k ručním armatury	16 - 20	10 - 15	TKD
LTKD180032	FLS Measurement Instrumentation	Příslušenství k ručním armatury	25 - 32	20 - 25	TKD
LTKD180050	FLS Measurement Instrumentation	Příslušenství k ručním armatury	40 - 50	32 - 40	TKD
LTKD180063	FLS Measurement Instrumentation	Příslušenství k ručním armatury	63	50	TKD

- Upper part (PVC-U)
  - Bottom part (PVC-U)
  - Bolts (zinc plated steel)
  - Nuts (zinc plated steel )
  - Gasket (NBR)
  - Reinforcing ring (Stainless steel)
- The reinforcing bush are used to reinforce the pipe PE100 (SDR11) e PE-X, to along the lifetime of the pipeline and to reduce the collapse risk of the pipe in disadvantages conditions. They use is particularly suggested using PE-X pipes. The two tightening keys (d.16-63 and d.75-110) are important tools to install the **MAGNUM 3G** fittings