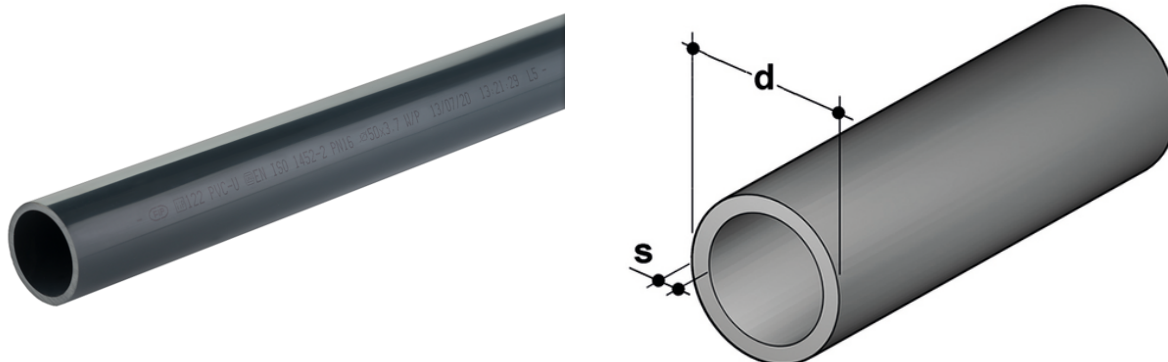


PRESSURE PIPE PN16 SDR 11 – SDR 13,6 – SDR 17

PVC-U pressure pipe according to standard EN ISO 1452, dark gray RAL 7011, standard length 5m



Objednací číslo	Material	Kategorie	d	S	product.detail.attribute.kg/m
PIPEV11016	PVC-U system	Trubky	16	1,5	0,109
PIPEV13020	PVC-U system	Trubky	20	1,5	0,140
PIPEV13025	PVC-U system	Trubky	25	1,9	0,216
PIPEV13032	PVC-U system	Trubky	32	2,4	0,351
PIPEV13040	PVC-U system	Trubky	40	3,0	0,539
PIPEV13050	PVC-U system	Trubky	50	3,7	0,831
PIPEV13063	PVC-U system	Trubky	63	4,7	1,323
PIPEV13075	PVC-U system	Trubky	75	5,6	1,877
PIPEV13090	PVC-U system	Trubky	90	6,7	2,681
PIPEV17110	PVC-U system	Trubky	110	6,6	3,289
PIPEV17125	PVC-U system	Trubky	125	7,4	4,194
PIPEV17140	PVC-U system	Trubky	140	8,3	5,265
PIPEV17160	PVC-U system	Trubky	160	9,5	6,872