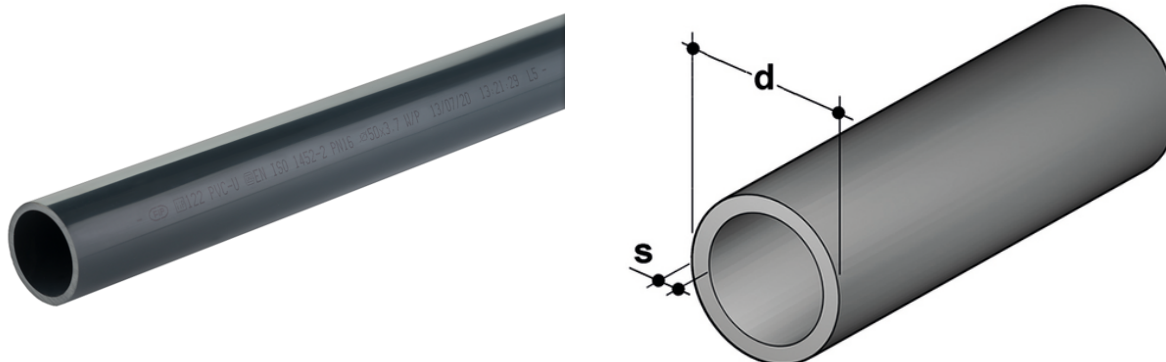


PRESSURE PIPE PN10 SDR 21

PVC-U pressure pipe according to standards EN ISO 15493 and DIN 8061/8062, dark gray RAL 7011, standard length 5m



Objednací číslo	Materiál	Kategorie	d	S	product.detail.attribute.kg/m
PIPEV21032	PVC-U system	Trubky	32	1,6	0,246
PIPEV21040	PVC-U system	Trubky	40	1,9	0,360
PIPEV21050	PVC-U system	Trubky	50	2,4	0,567
PIPEV21063	PVC-U system	Trubky	63	3	0,878
PIPEV21075	PVC-U system	Trubky	75	3,6	1,258
PIPEV21090	PVC-U system	Trubky	90	4,3	1,798
PIPEV21110	PVC-U system	Trubky	110	5,3	2,670
PIPEV21125	PVC-U system	Trubky	125	6	3,410
PIPEV21140	PVC-U system	Trubky	140	6,7	4,412
PIPEV21160	PVC-U system	Trubky	160	7,7	5,780
PIPEV21180	PVC-U system	Trubky	180	8,6	7,462
PIPEV21200	PVC-U system	Trubky	200	9,6	8,990
PIPEV21225	PVC-U system	Trubky	225	10,8	11,356
PIPEV21250	PVC-U system	Trubky	250	11,9	13,892
PIPEV21280	PVC-U system	Trubky	280	13,4	17,529
PIPEV21315	PVC-U system	Trubky	315	15	22,020