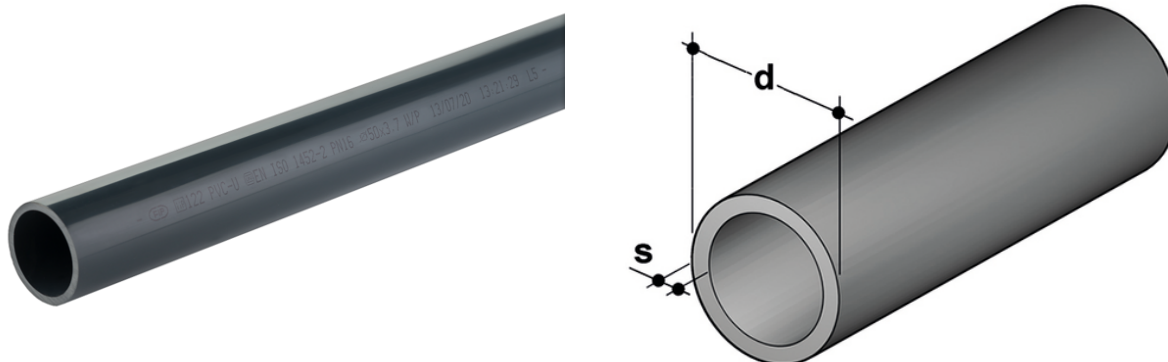


PRESSURE PIPE PN10 SDR 21 – SDR 23 – SDR 26

PVC-U pressure pipe according to standards NF and CSTB NF055, dark gray RAL 7011, standard length 5m.



Objednací číslo	Materiál	Kategorie	d	S	product.detail.attribute.kg/m
PIPEV21063	PVC-U system	Trubky	63	3,0	0,878
PIPEV21075	PVC-U system	Trubky	75	3,6	1,258
PIPEV21090	PVC-U system	Trubky	90	4,3	1,798
PIPEV21110	PVC-U system	Trubky	110	5,3	2,670
PIPEV21125	PVC-U system	Trubky	125	6,0	3,410
PIPEV23140	PVC-U system	Trubky	140	6,1	3,940
PIPEV26160	PVC-U system	Trubky	160	6,2	4,632
PIPEV26180	PVC-U system	Trubky	180	6,9	5,774
PIPEV26200	PVC-U system	Trubky	200	7,7	7,160
PIPEV26225	PVC-U system	Trubky	225	8,6	8,996
PIPEV26250	PVC-U system	Trubky	250	9,6	11,167
PIPEV26315	PVC-U system	Trubky	315	12,1	17,817