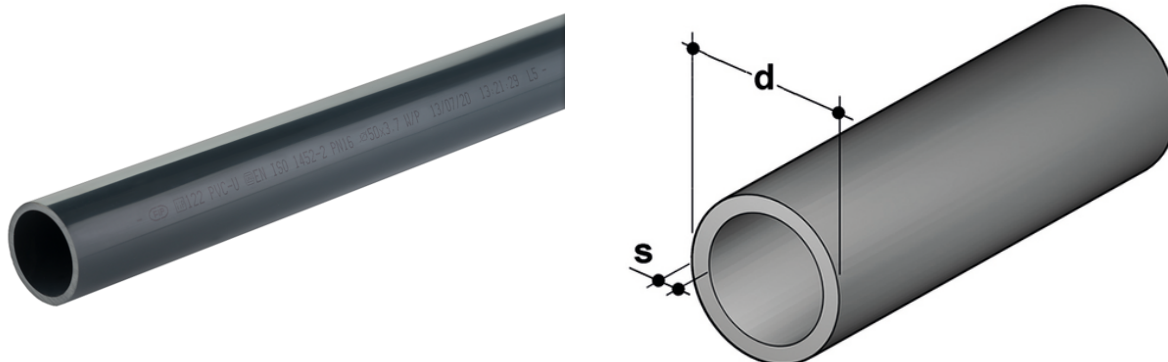


PRESSURE PIPE PN10 SDR 21 – SDR 26

PVC-U pressure pipe according to standard EN ISO 1452, dark gray RAL 7011, standard length 5m.



Objednací číslo	Materiál	Kategorie	d	S	product.detail.attribute.kg/m
PIPEV21032	PVC-U system	Trubky	32	1,6	0,246
PIPEV21040	PVC-U system	Trubky	40	1,9	0,360
PIPEV21050	PVC-U system	Trubky	50	2,4	0,567
PIPEV21063	PVC-U system	Trubky	63	3,0	0,878
PIPEV21075	PVC-U system	Trubky	75	3,6	1,258
PIPEV21090	PVC-U system	Trubky	90	4,3	1,798
PIPEV26110	PVC-U system	Trubky	110	4,2	2,175
PIPEV26125	PVC-U system	Trubky	125	4,8	2,800
PIPEV26140	PVC-U system	Trubky	140	5,4	3,533
PIPEV26160	PVC-U system	Trubky	160	6,2	4,632
PIPEV26180	PVC-U system	Trubky	180	6,9	5,774
PIPEV26200	PVC-U system	Trubky	200	7,7	7,160
PIPEV26225	PVC-U system	Trubky	225	8,6	8,996
PIPEV26250	PVC-U system	Trubky	250	9,6	11,167
PIPEV26280	PVC-U system	Trubky	280	10,7	13,961
PIPEV26315	PVC-U system	Trubky	315	12,1	17,817