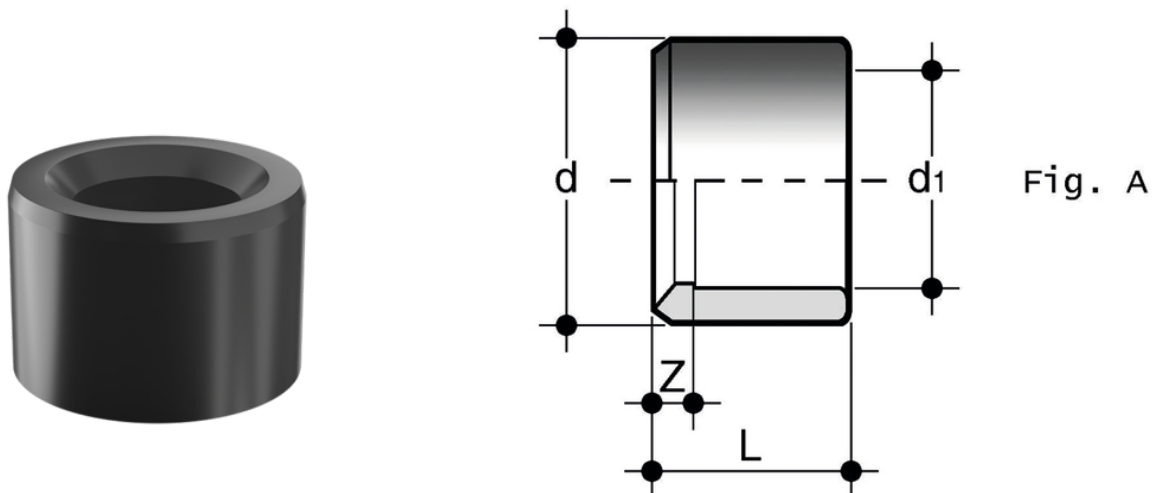


DLV

Reducing bush with solvent weld spigot (d) and solvent weld socket (d1 reduced) (fig. A)



Objednáč číslo	Materiál	Kategorie	product.detail.attribute.d x d[5:1]	PN	L	Z	g
DLV012038	PVC-U system	Tvarovky	1/2" x 3/8"	15	16,5	2	3
DLV300212	PVC-U system	Tvarovky	3" x 2"/1/2	15	50,5	7	125
DLV212200	PVC-U system	Tvarovky	2"/1/2 x 2"	15	43,5	7,5	100
DLV112114	PVC-U system	Tvarovky	1"/1/2 x 1"/1/4	15	31	4	20
DLV112100	PVC-U system	Tvarovky	1"/1/2 x 1"	15	30	7,5	42
DLV114100	PVC-U system	Tvarovky	1"/1/4 x 1"	15	27	4	19
DLV100034	PVC-U system	Tvarovky	1" x 3/4"	15	22,5	3	10
DLV100012	PVC-U system	Tvarovky	1" x 1/2"	15	22,5	6,5	18
DLV034012	PVC-U system	Tvarovky	3/4" x 1/2"	15	19,5	3	5,5
DLV400300	PVC-U system	Tvarovky	4" x 3"	15	63	12	331