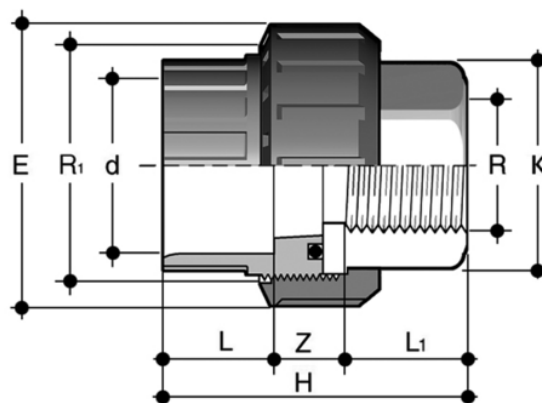


BIFXV

Adaptor union in PVC-U/stainless steel with solvent weld socket d and BSP threaded A316L stainless steel female end R with O-Ring in EPDM or FKM.



EPDM

Objednací číslo	Materiál	Kategorie	product.detail.attribute.d x R	product.detail.attribute.R[5:1]	PN	E	H	product.detail.attribute.K	L	L	Z
BIFXV016038E	PVC-U system	Tvarovky	16 x 3/8"	3/4"	16	33	45,5	20	14	13,5	18
BIFXV020012E	PVC-U system	Tvarovky	20 x 1/2"	1"	16	41	48,5	25	16	16,5	16
BIFXV025034E	PVC-U system	Tvarovky	25 x 3/4"	1 1/4"	16	50	54,5	32	19	18,5	17
BIFXV032100E	PVC-U system	Tvarovky	32 x 1"	1 1/2"	16	58	59,5	38	22	19,5	18
BIFXV040114E	PVC-U system	Tvarovky	40 x 1 1/4"	2"	16	72	68,5	48	26	21,5	21
BIFXV050112E	PVC-U system	Tvarovky	50 x 1 1/2"	2 1/4"	16	79	84,5	55	31	23	30,5
BIFXV063200E	PVC-U system	Tvarovky	63 x 2"	2 3/4"	16	98	94,5	69	38	27	29,5

FKM

BIFXV

Objednací číslo	Materiál	Kategorie	product.detail.attribute.d x R	product.detail.attribute.R[5:1]	PN	E	H	product.detail.attribute.K	L	L	Z
BIFXV016038F	PVC-U system	Tvarovky	16 x 3/8"	3/4"	16	33	45,5	20	14	13,5	18
BIFXV020012F	PVC-U system	Tvarovky	20 x 1/2"	1"	16	41	48,5	25	16	16,5	16
BIFXV025034F	PVC-U system	Tvarovky	25 x 3/4"	1 1/4"	16	50	54,5	32	19	18,5	17
BIFXV032100F	PVC-U system	Tvarovky	32 x 1"	1 1/2"	16	58	59,5	38	22	19,5	18
BIFXV040114F	PVC-U system	Tvarovky	40 x 1 1/4"	2"	16	72	68,5	48	26	21,5	21
BIFXV050112F	PVC-U system	Tvarovky	50 x 1 1/2"	2 1/4"	16	79	84,5	55	31	23	30,5
BIFXV063200F	PVC-U system	Tvarovky	63 x 2"	2 3/4"	16	98	94,5	69	38	27	29,5