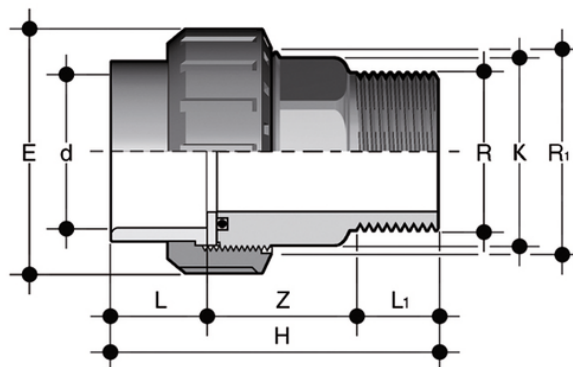


BIRV

Union with fixed BSP threaded male end and O-Ring in EPDM



Objednáací číslo	Materiál	Kategorie	product.detail.attribute.d x R	product.detail.attribute.R[5:1]	PN	E	H	product.detail.attribute.K	L	L
BIRV050112E	PVC-U system	Tvarovky	50 x 1 1/2	2 1/4	16	79	98	53	31	21,
BIRV050200E	PVC-U system	Tvarovky	50 x 2	2 1/4	16	79	102	53	31	25
BIRV063200E	PVC-U system	Tvarovky	63 x 2	2 3/4	16	98	116	67	38	25