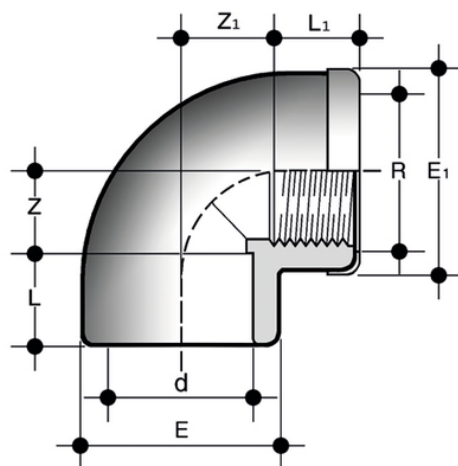


90° elbow with reinforced solvent weld socket d and BSP threaded female end R with stainless steel reinforcing ring.



Objednací číslo	Materiál	Kategorie	product.detail.attribute.d x R	PN	E	product.detail.attribute.E[5:1]	L	L	Z	product.detail.attribut
GIMV016038	PVC-U system	Tvarovky	16 x 3/8"	16	23,5	24,5	14	11,4	10	13
GIMV020012	PVC-U system	Tvarovky	20 x 1/2"	16	28,5	29,5	16	15	12	13
GIMV025034	PVC-U system	Tvarovky	25 x 3/4"	16	35	36	19	16,3	14	17
GIMV032100	PVC-U system	Tvarovky	32 x 1"	16	43	44	22	19,1	18	20,5
GIMV040114	PVC-U system	Tvarovky	40 x 1 1/4"	16	54	55	26	21,4	22,5	27
GIMV050112	PVC-U system	Tvarovky	50 x 1 1/2"	16	61	62	31	21,4	27	37
GIMV063200	PVC-U system	Tvarovky	63 x 2"	16	76	77	38	25,7	33	46