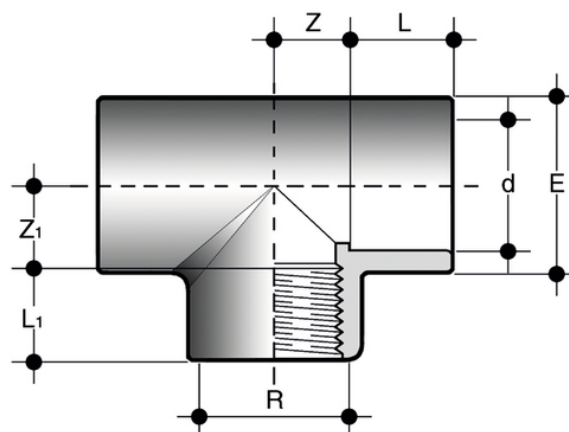


TIFV

90° Tee with solvent weld socket d and BSP threaded female end R.



Objednací číslo	Materiál	Kategorie	product.detail.attribute.d x R	PN	E	L	L	Z	product.detail.attribute.Z[5:1]	g
TIFV016038	PVC-U system	Tvarovky	16 x 3/8"	16	23,5	14	11,4	9	11	20
TIFV020012	PVC-U system	Tvarovky	20 x 1/2"	16	28,5	16	15	12	13	32
TIFV025034	PVC-U system	Tvarovky	25 x 3/4"	16	35	19	16,3	15	17	52
TIFV032012	PVC-U system	Tvarovky	32 x 1/2"	16	41	22	15	17,5	18	92
TIFV032100	PVC-U system	Tvarovky	32 x 1"	16	43	22	19,1	18	21	71
TIFV040114	PVC-U system	Tvarovky	40 x 1 1/4"	16	50	26	21,4	21,5	27	110
TIFV050012	PVC-U system	Tvarovky	50 x 1/2"	16	61	31	15	27	27,5	160
TIFV050112	PVC-U system	Tvarovky	50 x 1 1/2"	16	61	31	21,4	27	37	195
TIFV063012	PVC-U system	Tvarovky	63 x 1/2"	16	76	38	15	33,5	37,5	305
TIFV063200	PVC-U system	Tvarovky	63 x 2"	16	76	38	25,7	33,5	46	405
TIFV075212	PVC-U system	Tvarovky	75 x 2 1/2"	16	91	44	30,2	41	54,5	605
TIFV090300	PVC-U system	Tvarovky	90 x 3"	16	109	51	33,3	48,5	66	1070
TIFV110400	PVC-U system	Tvarovky	110 x 4"	16	103	61	39,3	61,5	83	1690