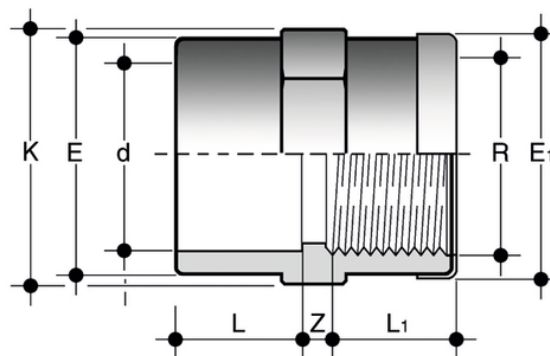


MIMV

Double socket with solvent weld socket d and BSP threaded female end R with stainless steel reinforcing ring.



Objednací číslo	Materiál	Kategorie	product.detail.attribute.d x R	PN	E	product.detail.attribute.E[5:1]	product.detail.attribute.K	L	L	Z
MIMV016038	PVC-U system	Tvarovky	16 x 3/8"	16	23,5	24,5	24	14	11,4	5
MIMV020012	PVC-U system	Tvarovky	20 x 1/2"	16	28,5	29,5	29	16	15	4
MIMV025034	PVC-U system	Tvarovky	25 x 3/4"	16	35	36	35	19	16,3	5
MIMV032100	PVC-U system	Tvarovky	32 x 1"	16	43	44	43	22	19,1	6
MIMV040114	PVC-U system	Tvarovky	40 x 1 1/4"	16	50	51	50	26	21,4	5
MIMV050112	PVC-U system	Tvarovky	50 x 1 1/2"	16	61	62	61	31	21,4	8
MIMV063200	PVC-U system	Tvarovky	63 x 2"	16	76	77	76	38	25,7	7