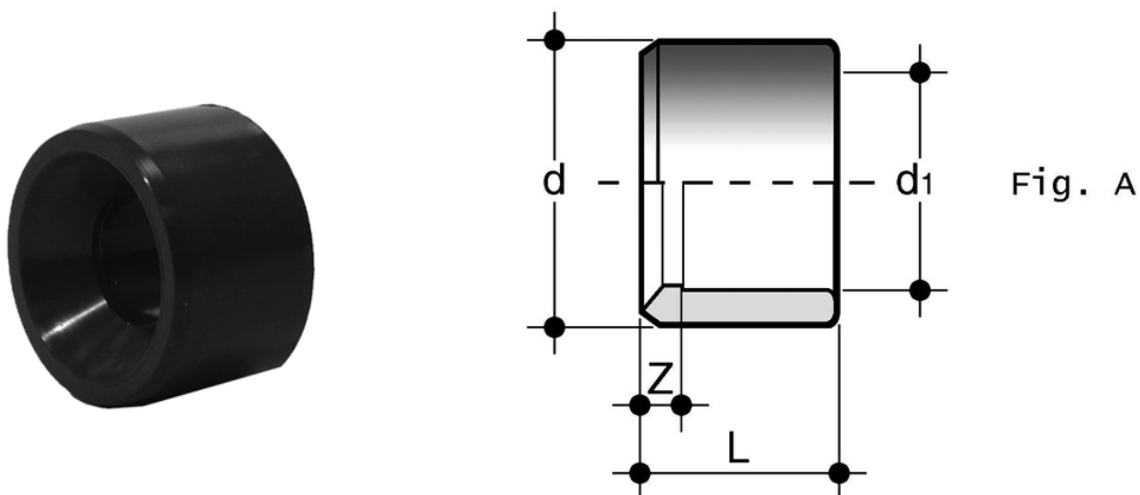


Reducing bush with solvent weld spigot (d) and solvent weld socket (d1 reduced) (fig. A)



Objednáací číslo	Materiál	Kategorie	product.detail.attribute.d x d[5:1]	PN	L	Z	g	product.detail.attribute.
DIV016012	PVC-U system	Tvarovky	16 x 12	16	14	2	1	-
DIV020016	PVC-U system	Tvarovky	40 x 25	16	26	7	24	-
DIV025020	PVC-U system	Tvarovky	25 x 20	16	19	3	5	IF
DIV032020	PVC-U system	Tvarovky	32 x 20	16	22	6	15	I
DIV032025	PVC-U system	Tvarovky	32 x 25	16	22	3,5	10	IF
DIV040032	PVC-U system	Tvarovky	40 x 32	16	26	4	17	IF
DIV050040	PVC-U system	Tvarovky	50 x 40	16	31	5	32	IF
DIV063050	PVC-U system	Tvarovky	63 x 50	16	38	7	65	IF
DIV075063	PVC-U system	Tvarovky	75 x 63	16	44	6	85	IF
DIV090075	PVC-U system	Tvarovky	90 x 75	16	51	7	150	IF
DIV110090	PVC-U system	Tvarovky	110 x 90	16	61	9	270	IF
DIV125110	PVC-U system	Tvarovky	125 x 110	16	69	8	285	IF
DIV140110	PVC-U system	Tvarovky	140 x 110	16	76	17	645	I
DIV140125	PVC-U system	Tvarovky	140 x 125	16	76	9,5	350	IF
DIV160140	PVC-U system	Tvarovky	160 x 140	16	86	10	565	IF
DIV225200	PVC-U system	Tvarovky	*225 x 200	16	119	13	1380	-
DIV250200	PVC-U system	Tvarovky	250 x 200	10	132	25	3500	-
DIV250225	PVC-U system	Tvarovky	250 x 225	10	132	12	2100	-
DIV280250	PVC-U system	Tvarovky	*280 x 250	10	147	15	2500	-