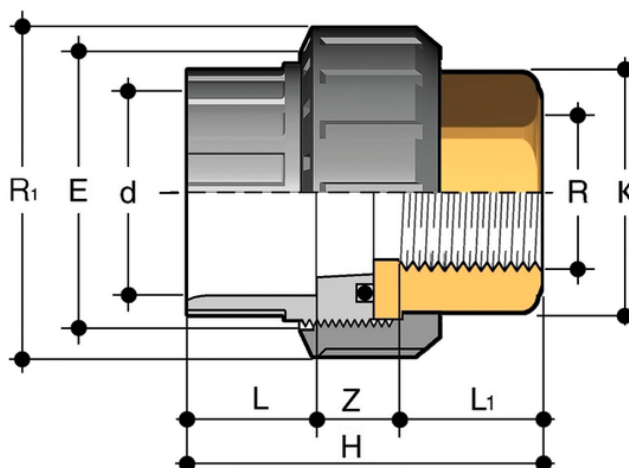


BIFOV

Adaptor union in PVC-U/brass with solvent weld socket d and BSP threaded brass female end R with O-Ring in EPDM



Objednací číslo	Materiál	Kategorie	product.detail.attribute.d x R	product.detail.attribute.R[5:1]	PN	E	H	product.detail.attribute.K	L
BIFOV016038E	PVC-U system	Tvarovky	16 x 3/8"	3/4"	16	33	45,5	20	14
BIFOV020012E	PVC-U system	Tvarovky	20 x 1/2"	1"	16	41	48,5	25	16
BIFOV025034E	PVC-U system	Tvarovky	25 x 3/4"	1" 1/4	16	50	54,5	32	19
BIFOV032100E	PVC-U system	Tvarovky	32 x 1"	1" 1/2	16	58	59,5	38	22
BIFOV040114E	PVC-U system	Tvarovky	40 x 1" 1/4	2"	16	72	68,5	48	26
BIFOV050112E	PVC-U system	Tvarovky	50 x 1" 1/2	2" 1/4	16	79	84,5	55	31
BIFOV063200E	PVC-U system	Tvarovky	63 x 2"	2" 3/4	16	98	94,5	69	38