

DIMV

Double adaptor with solvent weld socket df , solvent weld spigot dm and BSP threaded female end R with stainless steel reinforcing ring (fig. A)

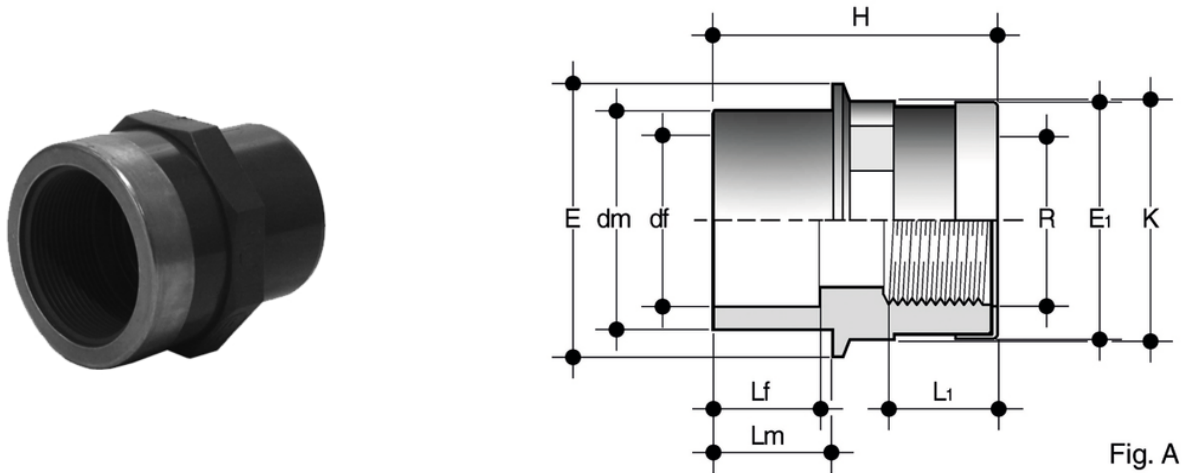


Fig. A