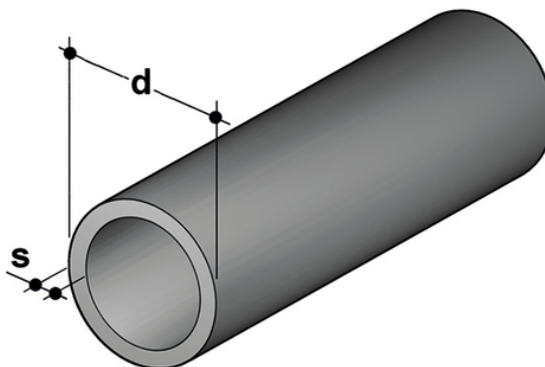
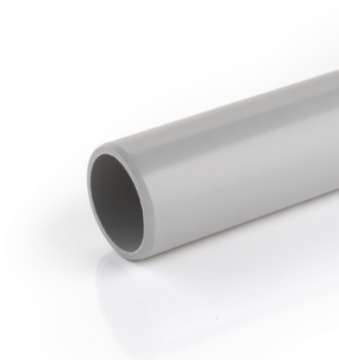


# TemperFIP100® PRESSURE PIPE

## PN16 SDR 13,6 – S6,3

PVC-C Corzan® pressure pipe according to standards EN ISO 15493 and DIN 8079/8080, light grey RAL 215, standard length 5m.



Objednací číslo	Materiál	Kategorie	d	DN	S	product.detail.attribute.kg/m
PIPEC13016	PVC-C system	Trubky	16	10	1,4	0,110
PIPEC13020	PVC-C system	Trubky	20	15	1,5	0,170
PIPEC13025	PVC-C system	Trubky	25	20	1,9	0,260
PIPEC13032	PVC-C system	Trubky	32	25	2,4	0,420
PIPEC13040	PVC-C system	Trubky	40	32	3,0	0,630
PIPEC13050	PVC-C system	Trubky	50	40	3,7	0,970
PIPEC13063	PVC-C system	Trubky	63	50	4,7	1,530
PIPEC13075	PVC-C system	Trubky	75	65	5,6	2,200
PIPEC13090	PVC-C system	Trubky	90	80	6,7	2,880
PIPEC13110	PVC-C system	Trubky	110	100	8,1	4,310
PIPEC13160	PVC-C system	Trubky	160	150	11,8	9,040