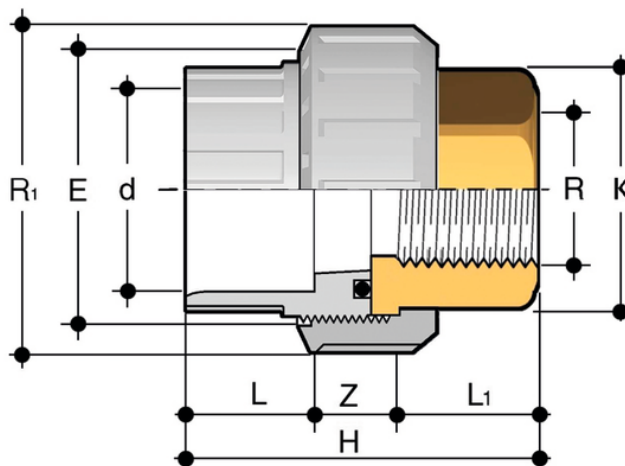
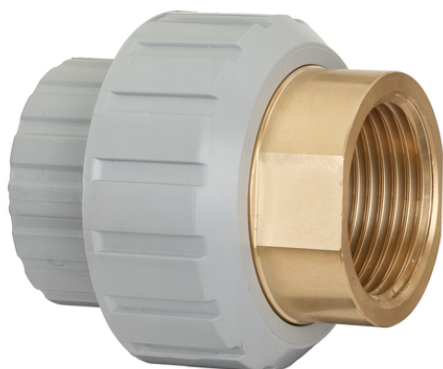


# BIFOC

Adaptor union in PVC-C/brass with solvent weld socket d and BSP threaded brass female end R with O-Ring in EPDM



Objednací číslo	Materiál	Kategorie	product.detail.attribute.d x R	product.detail.attribute.R[5:1]	PN	E	H	product.detail.attribute.K	L
BIFOC016038E	PVC-C system	Tvarovky	16 x 3/8"	3/4"	16	33	45,5	20	14
BIFOC020012E	PVC-C system	Tvarovky	20 x 1/2"	1"	16	41	48,5	25	16
BIFOC025034E	PVC-C system	Tvarovky	25 x 3/4"	1";1/4	16	50	54,5	32	19
BIFOC032100E	PVC-C system	Tvarovky	32 x 1"	1";1/2	16	58	59,5	38	22
BIFOC040114E	PVC-C system	Tvarovky	40 x 1";1/4	2"	16	72	68,5	48	26
BIFOC050112E	PVC-C system	Tvarovky	50 x 1";1/2	2";1/4	16	79	84,5	55	31
BIFOC063200E	PVC-C system	Tvarovky	63 x 2"	2";3/4	16	98	94,5	69	38