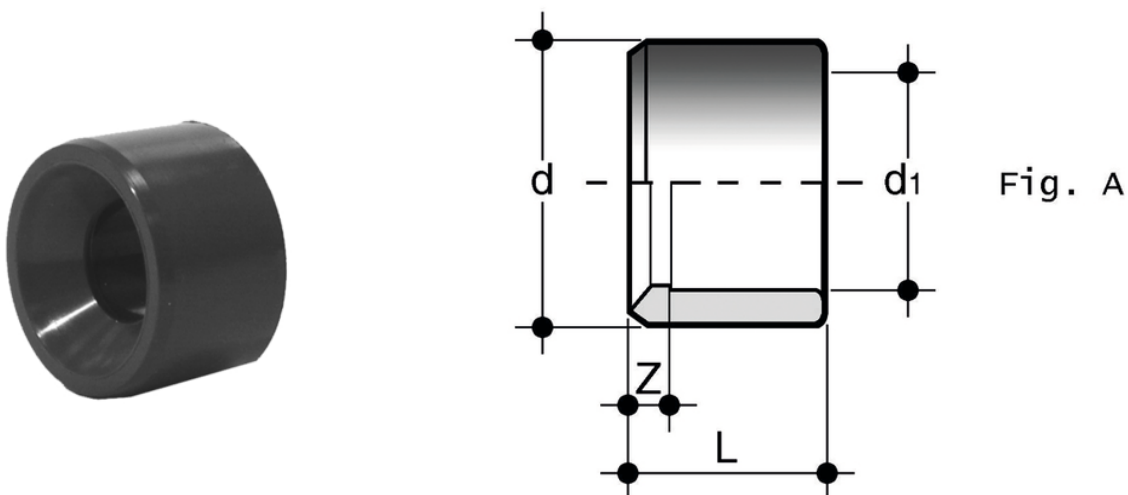


Reducing bush with solvent weld spigot (d) and solvent weld socket (d1 reduced) (fig.A)



Objednáací číslo	Materiál	Kategorie	product.detail.attribute.d x d[5:1]	PN	L	Z	g
DIC020016	PVC-C system	Tvarovky	20 x 16	16	16	2	3
DIC025020	PVC-C system	Tvarovky	25 x 20	16	19	3	6
DIC032020	PVC-C system	Tvarovky	32 x 20	16	22	6	16
DIC032025	PVC-C system	Tvarovky	32 x 25	16	22	3	11
DIC040032	PVC-C system	Tvarovky	40 x 32	16	26	4	18
DIC050040	PVC-C system	Tvarovky	50 x 40	16	31	5	35
DIC063050	PVC-C system	Tvarovky	63 x 50	16	38	7	70
DIC075063	PVC-C system	Tvarovky	75 x 63	16	44	6	92
DIC090075	PVC-C system	Tvarovky	90 x 75	16	51	7	159
DIC110090	PVC-C system	Tvarovky	110 x 90	16	61	9	297