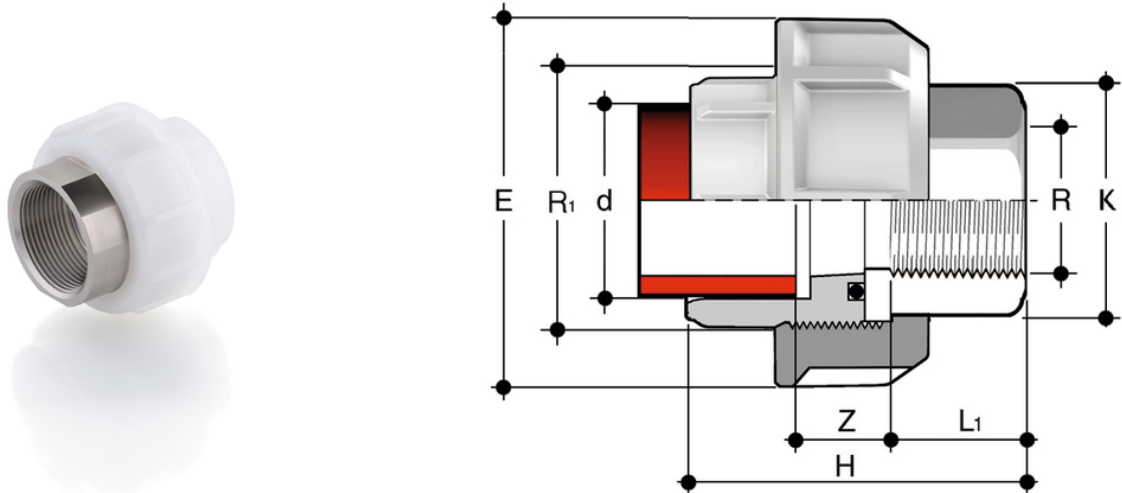


BIFXF

Adaptor union in PVDF/STAINLESS steel for socket welding (d), BSP (R) threaded A316L STAINLESS steel female end with O-Ring in FKM



Objednací číslo	Materiál	Kategorie	product.detail.attribute.d x R	product.detail.attribute.R[5:1]	PN	E	H	product.detail.attribute.K	L
BIFXF020012F	PVDF system	Tvarovky	20 x 1/2"	1"	16	47	48,5	25	16,5
BIFXF025034F	PVDF system	Tvarovky	25 x 3/4"	1 1/4"	16	58	53,5	32	18,5
BIFXF032100F	PVDF system	Tvarovky	32 x 1"	1 1/2"	16	65	57,5	38	19,5
BIFXF040114F	PVDF system	Tvarovky	40 x 1 1/4"	2"	16	78	64,5	48	21,5
BIFXF050112F	PVDF system	Tvarovky	50 x 1 1/2"	2 1/4"	16	85	78,5	55	23
BIFXF063200F	PVDF system	Tvarovky	63 x 2"	2 3/4"	16	103	85,5	69	27