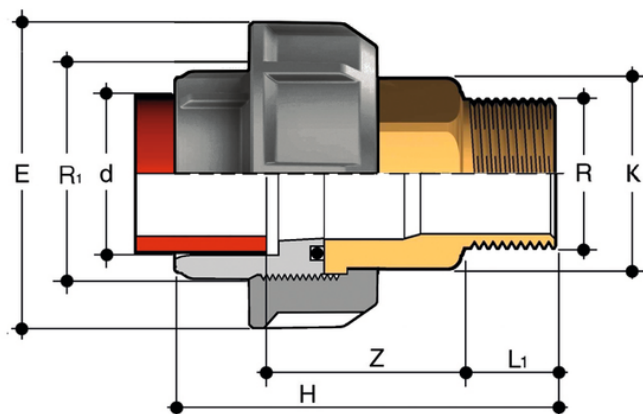


BIROM

Adaptor union in PP-H/brass for socket welding (d), BSP threaded brass male end R with O-Ring in EPDM



Objednací číslo	Materiál	Kategorie	product.detail.attribute.d x R	product.detail.attribute.R[5:1]	PN	E	H	product.detail.attribute.K	L
BIROM020012E	PP-H system	Tvarovky	20 x 1/2"	1"	10	47	65	25	13,
BIROM025034E	PP-H system	Tvarovky	25 x 3/4"	1 1/4"	10	58	71,5	32	15
BIROM032100E	PP-H system	Tvarovky	32 x 1"	1 1/2"	10	65	78	38	17,
BIROM040114E	PP-H system	Tvarovky	40 x 1 1/4"	2"	10	78	87	48	19,
BIROM050112E	PP-H system	Tvarovky	50 x 1 1/2"	2 1/4"	10	85	95	55	19,
BIROM063200E	PP-H system	Tvarovky	63 x 2"	2 3/4"	10	103	113,5	69	24