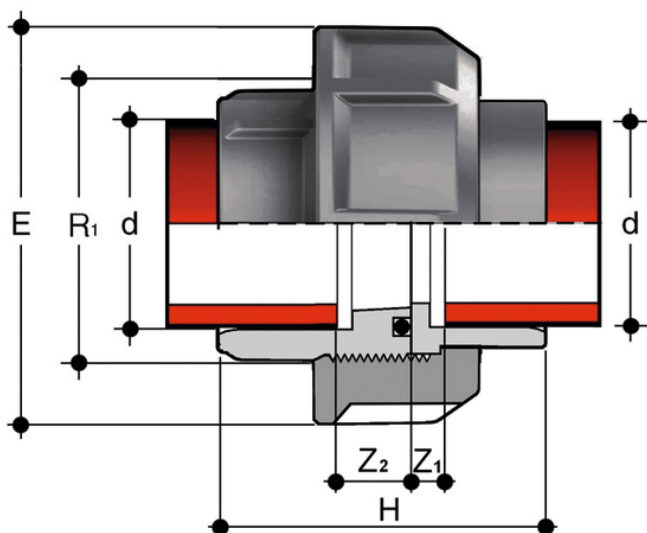


BIGM

Union for socket welding with O-Ring in EPDM or FKM



BIGM

| Objednací číslo | Materiál | Kategorie |
|-----------------|-------------|-----------|
| BIGM020E | PP-H system | Tvarovky |
| BIGM025E | PP-H system | Tvarovky |
| BIGM032E | PP-H system | Tvarovky |
| BIGM040E | PP-H system | Tvarovky |
| BIGM050E | PP-H system | Tvarovky |
| BIGM063E | PP-H system | Tvarovky |

BIGM

| Objednací číslo | Materiál | Kategorie |
|-----------------|-------------|-----------|
| BIGM020F | PP-H system | Tvarovky |
| BIGM025F | PP-H system | Tvarovky |
| BIGM | PP-H system | Tvarovky |
| BIGM040F | PP-H system | Tvarovky |
| BIGM050F | PP-H system | Tvarovky |
| BIGM063F | PP-H system | Tvarovky |