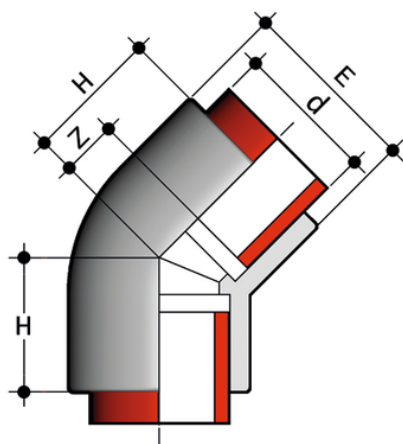


# HIM

45° elbow for socket welding



Objednací číslo	Materiál	Kategorie	d	DN	PN	E	H	Z	g
HIM020	PP-H system	Tvarovky	20	15	10	28	21	7	12
HIM025	PP-H system	Tvarovky	25	20	10	34	25	9	19
HIM032	PP-H system	Tvarovky	32	25	10	42	29	12	33
HIM040	PP-H system	Tvarovky	40	32	10	52	36	15	57
HIM050	PP-H system	Tvarovky	50	40	10	63	43	19	105
HIM063	PP-H system	Tvarovky	63	50	10	79	51	24	182
HIM075	PP-H system	Tvarovky	75	65	10	92	53	20	200
HIM090	PP-H system	Tvarovky	90	80	10	113	61	23,5	335
HIM110	PP-H system	Tvarovky	110	100	10	135	71	28	610