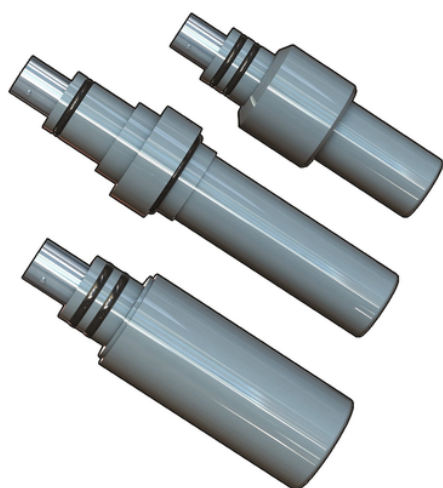


ORP6XX CD

C-PVC double junction Flat surface electrodes



Objednací číslo	Materiál	Kategorie	product.detail.attribute.family	Série	product.detail.attribute.Features	product.detail.attri Operative Range
ORP650CD	FLS Measurement Instrumentation	FLS systém pro měření a regulaci	ph / ORP / pressure-level Electrodes	pH/ORP elektrody s tělem z epoxydu, C-PVC, rytonu nebo skla	-	-
ORP650CDDA	FLS Measurement Instrumentation	FLS systém pro měření a regulaci	ph / ORP / pressure-level Electrodes	pH/ORP elektrody s tělem z epoxydu, C-PVC, rytonu nebo skla	Signal amplified	Presence of stray c
ORP655CD	FLS Measurement Instrumentation	FLS systém pro měření a regulaci	ph / ORP / pressure-level Electrodes	pH/ORP elektrody s tělem z epoxydu, C-PVC, rytonu nebo skla	With pressurized filling gel	-
ORP660CD	FLS Measurement Instrumentation	FLS systém pro měření a regulaci	ph / ORP / pressure-level Electrodes	pH/ORP elektrody s tělem z epoxydu, C-PVC,	-	-

ORP6XX CD

Objednací číslo	Materiál	Kategorie	product.detail.attribute.family	Série	product.detail.attribute.Features	product.detail.attrit Operative Range
ORP66OCDDA	FLS Measurement Instrumentation	FLS systém pro měření a regulaci	ph / ORP / pressure-level Electrodes	rytonu nebo skla pH/ORP elektrody s tělem z epoxydu, C-PVC, rytonu nebo skla	Signal amplified	Presence of stray c

ORP6XX CD

- APPLICATIONS • Water & Wastewater treatment • Pre-chlorination & de-chlorination • Neutralization systems • Water quality monitoring • Ozone treatment • Coolingtowers • Boiler systems • Bleach production • Pulp bleaching • Aquaculture • Fruit and vegetables washing • Textile Dye Process MAIN FEATURES • pH and ORP versions • Flat electrodes • Double junction technology • Large gel reference volume • High protection from process contamination • Easy and quick installation system • BNC connector • In line, submersion or hot tap installation • Low cost fittings • HF option (pH) for liquids with HF (max. 2%) inside • LC option (pH) on request for pure water (<100us >